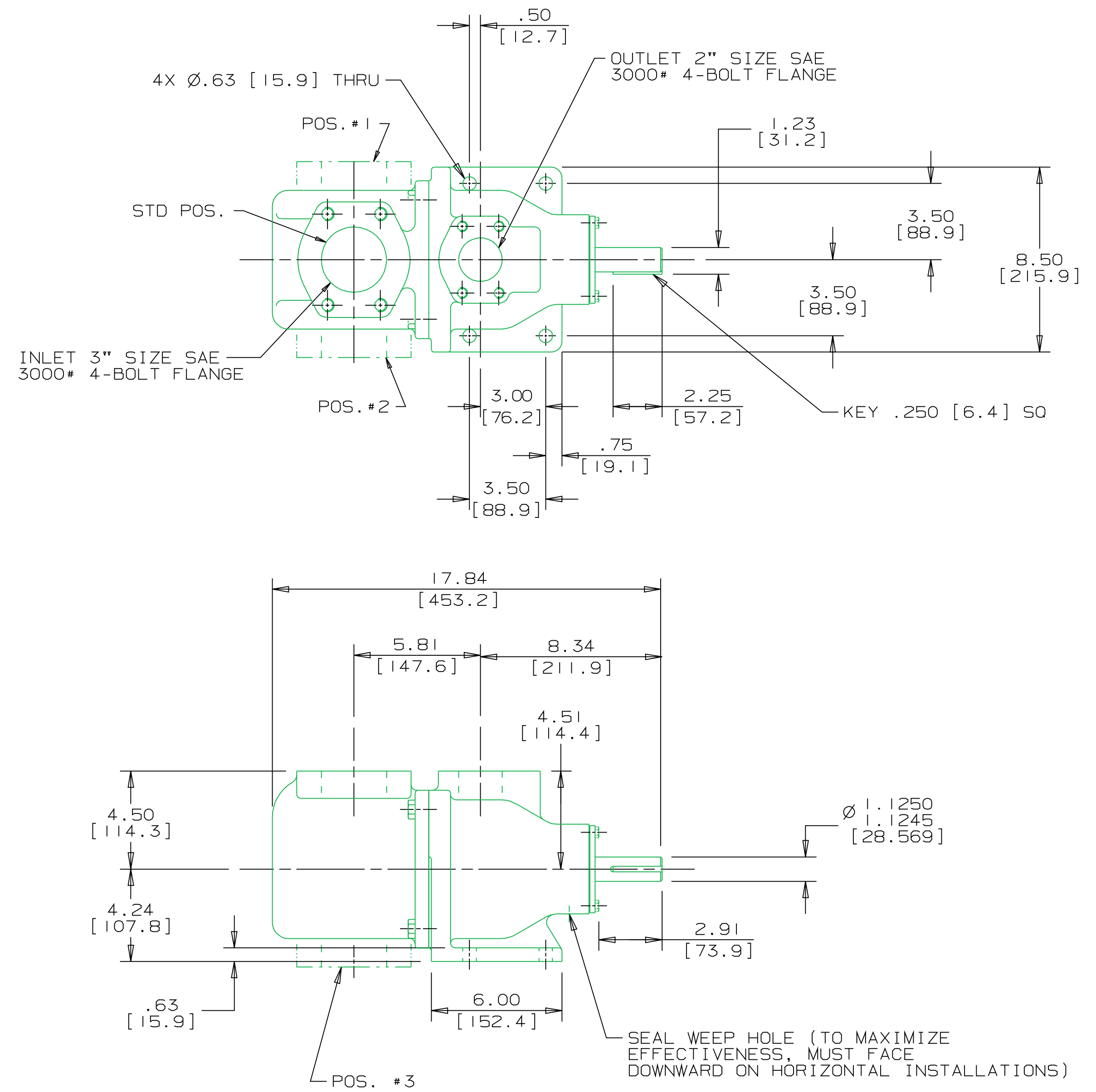
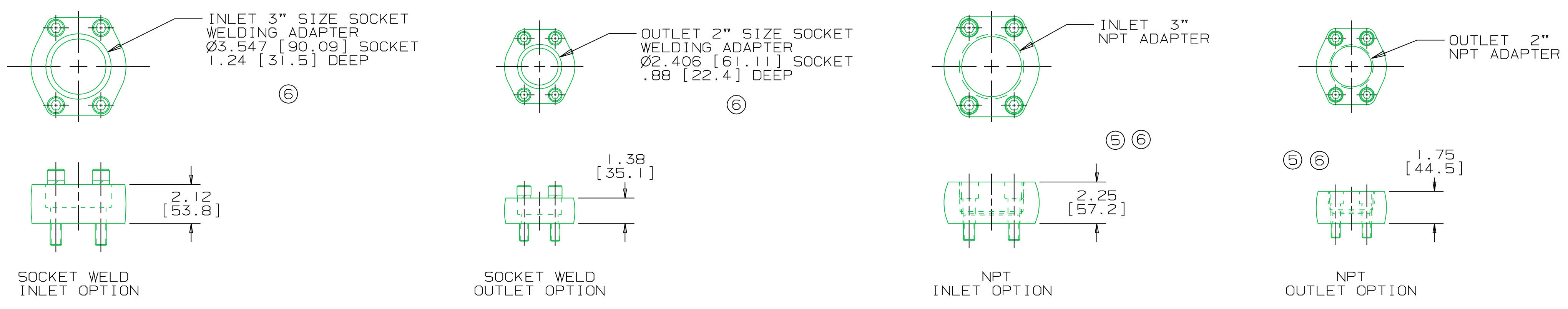


REVISION HISTORY						
CHG NO	ZONE	REV	DESCRIPTION	DATE	BY	APPROVED
00-00365	ALL	4	NPT ADAPTERS UPDATED	8-2-00	DAV	MLW
01-0270	D3-D5	5	ADDED LOCKWASHERS & CAP SCREW HEADS TO ADAPTERS	5-31-01	KV	KV
01-0287	ALL	6	ALL ADAPTERS UPDATED TO REFLECT 9/99 ANCHOR CATALOG	6-12-01	DMM	DMM



DRAWING CERTIFICATION	
CUSTOMER NAME	-----
CUSTOMER PO NUMBER	---
CUSTOMER PART NUMBER	-
BOM NUMBER	-----
PUMP TYPE	-----
SHAFT ROTATION	-----
INLET PORT POSITION	--
INLET PORT OPTION	----
OUTLET PORT OPTION	----
OTHER INFORMATION	
CERTIFIED BY	-----
CERTIFIED DATE	-----
IMO ORDER NUMBER	-----
DATA REVISION NUMBER	-

- NOTES:
- UNLESS OTHERWISE SPECIFIED, ALL DIMENSIONS ARE IN INCHES. DIMENSIONS IN [] ARE MILLIMETERS.
 - PORT POSITIONS ARE RELATIVE TO THE WEEP HOLE FACING DOWNWARD.

DRAWN	DMS	1-2-96			
CHECKED	MJC	1-3-96			
APPROVED	MJC	1-3-96			
COMMENTS: STANDARD ROTATION IS CLOCKWISE WHEN VIEWED FROM COUPLING END OF PUMP. SUCTION STRAINER AND DISCHARGE RELIEF VALVE MUST BE PROVIDED. UNITS ARE ACCURATELY ALIGNED AT THE FACTORY. ALIGNMENT SHOULD BE CHECKED BEFORE STARTING TO ENSURE THAT IT IS STILL WITHIN .005 [0.13] F.W. PRESTARTING: FLUSH SUCTION PIPING BEFORE CONNECTING PUMP. PRIME AND VENT PUMP. DO NOT START PUMP WITH VALVES CLOSED. READ INSTRUCTION MANUAL FOR DETAILS BEFORE STARTING.			TITLE OUTLINE STANDARD _3E_FS-187_/200_		
THIRD ANGLE PROJECTION 		F FIRST ORDER 801676	SIZE D	CAGE CODE 59180	DWG NO SDD18505
USED ON 3253/262		SCALE 1/4	WEIGHT 92 LBS [41.7 kg]	SHEET 1 OF 1	