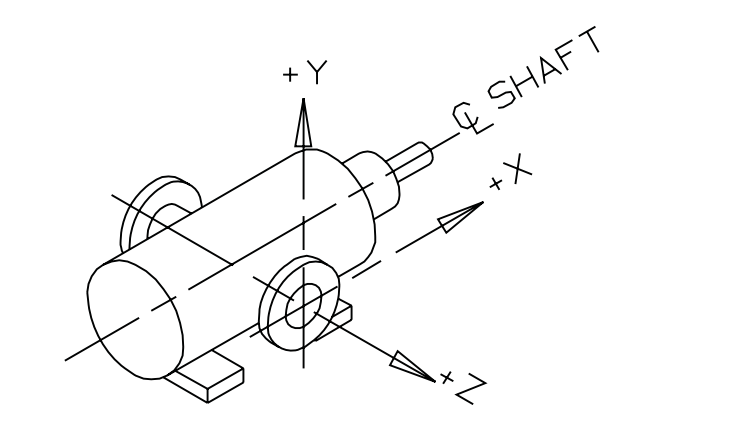
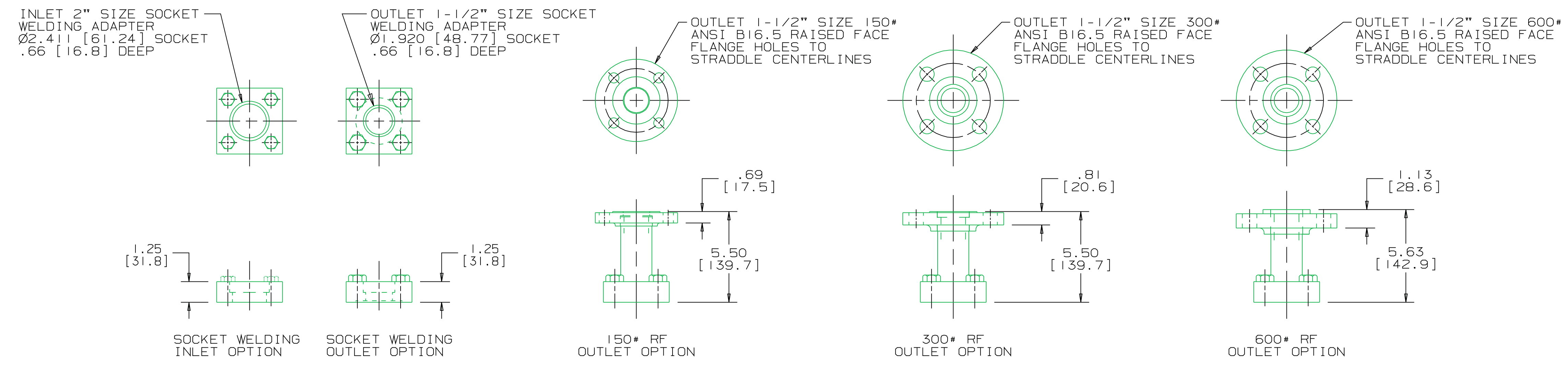


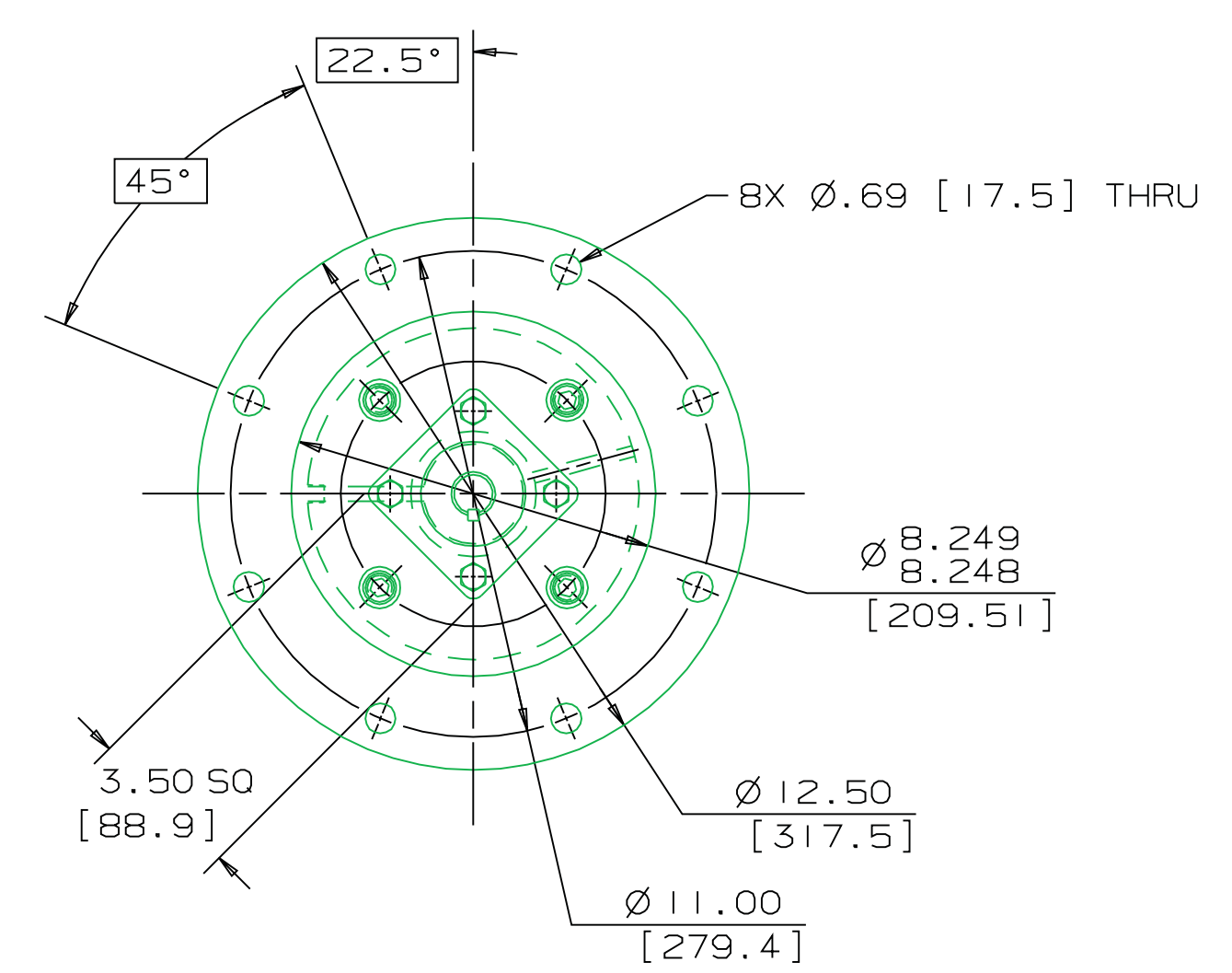
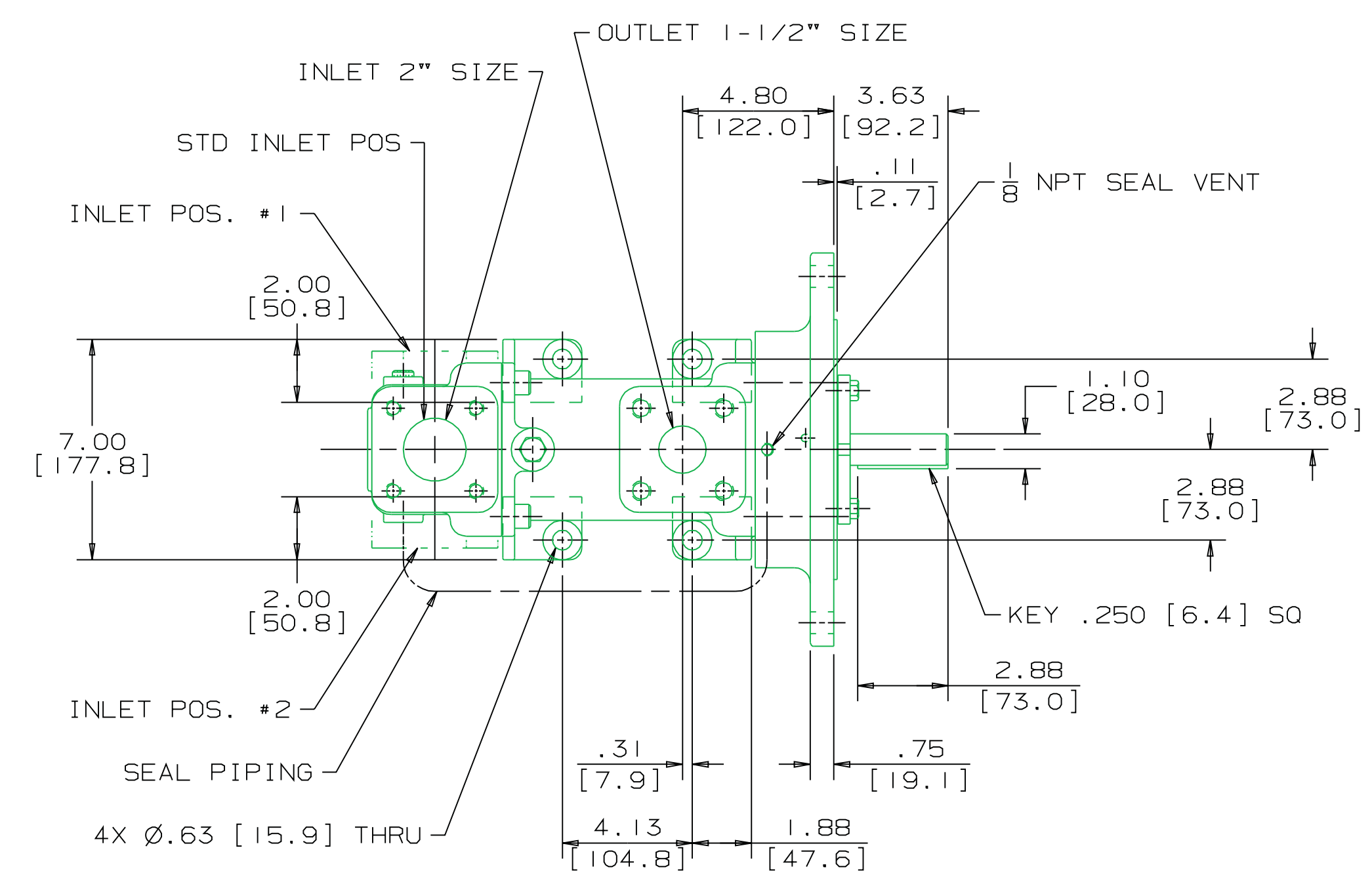
REVISION HISTORY					
CHG NO	ZONE	REV	DESCRIPTION	DATE	BY / APPROVED
00-0579	ALL	1	UPDATED TO CURRENT STANDARDS & ADDED SPOOL PIECE OPTIONS	10-12-00	DMM / DMM



INLET:  
 FX=150 LBF [667 N]    MX=250 LB FT [339 N·m]  
 FY=150 LBF [667 N]    MY=250 LB FT [339 N·m]  
 FZ=150 LBF [667 N]    MZ=250 LB FT [339 N·m]

OUTLET:  
 FX=113 LBF [500 N]    MX=188 LB FT [254 N·m]  
 FY=113 LBF [500 N]    MY=188 LB FT [254 N·m]  
 FZ=113 LBF [500 N]    MZ=188 LB FT [254 N·m]

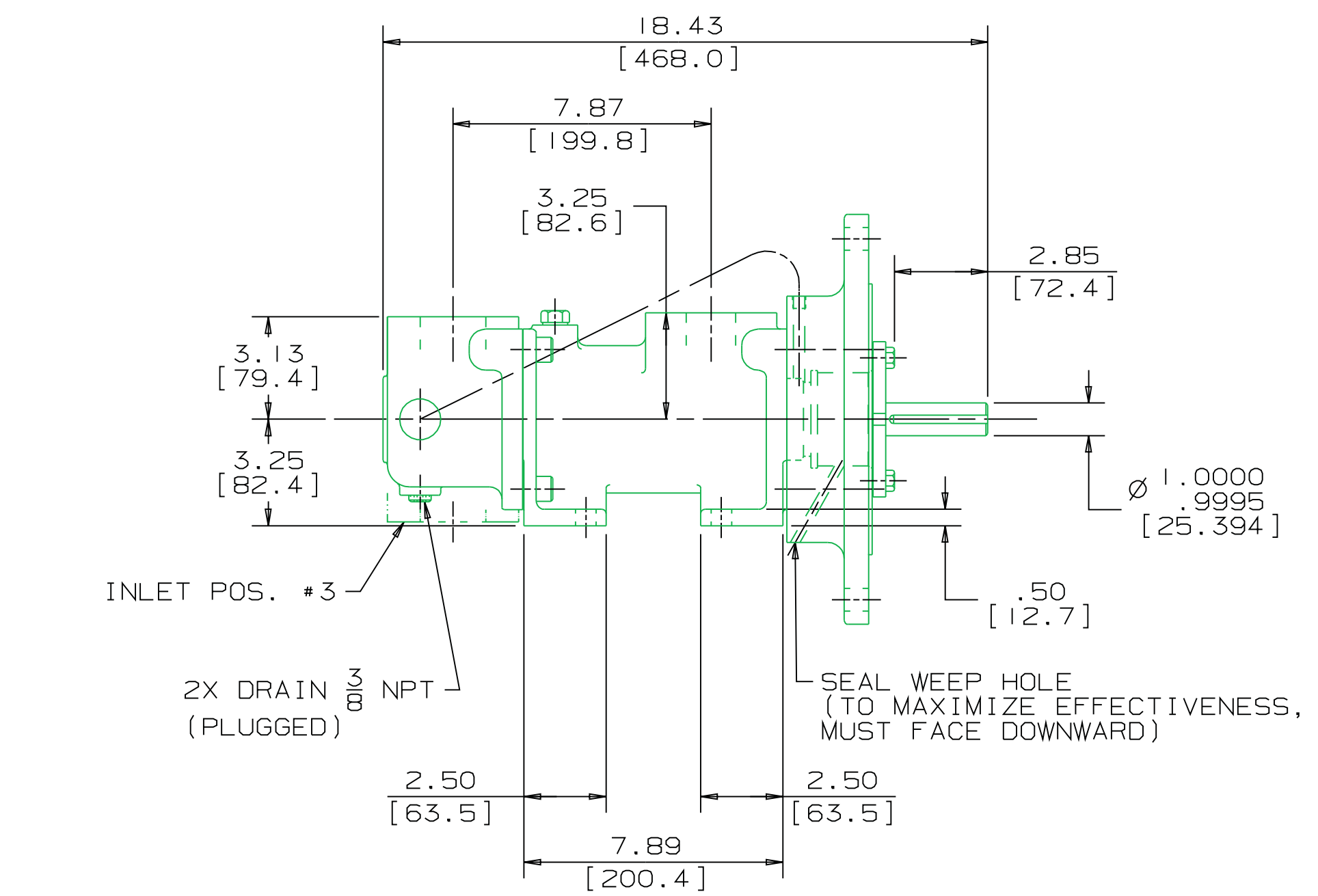
FORCE AND MOMENT VALUES ARE RELATIVE TO CENTER OF INLET AND OUTLET PORT FACES.



- NOTES:
- UNLESS OTHERWISE SPECIFIED, ALL DIMENSIONS ARE IN INCHES. DIMENSIONS IN [ ] ARE MILLIMETERS.
  - TO MAXIMIZE SEAL LIFE, SEAL VENT MUST BE ORIENTED UPWARD (12 O'CLOCK) WHEN PUMP IS INSTALLED HORIZONTALLY. THIS IS NORMAL VENT ORIENTATION WHEN PUMP FEET ARE ORIENTED DOWNWARD. SEAL VENT ORIENTATION IS NOT CRITICAL WHEN PUMP IS INSTALLED WITH SHAFT VERTICALLY UPWARD.
  - PORT, FOOT, AND SEAL VENT ORIENTATIONS ARE SUPPLIED AS SHOWN ON DRAWING UNLESS OTHERWISE SPECIFIED.
  - ALTERNATE INLET PORT POSITIONS ARE PROVIDED IF SPECIFIED ON ORDER. AVAILABLE POSITIONS ARE: STANDARD, POSITION #1, POSITION #2 OR POSITION #3. ALL INLET PORT POSITIONS ARE RELATIVE TO OUTLET PORT.
  - ESTIMATED WEIGHT (WITHOUT PORT ADAPTERS) 110 LBS [49.9 kg].



DRAWING CERTIFICATION	
CUSTOMER NAME	-----
CUSTOMER PO NUMBER	-----
CUSTOMER PART NUMBER	-----
BOM NUMBER	-----
PUMP TYPE	-----
SHAFT ROTATION	-----
INLET PORT POSITION	-----
INLET PORT ADAPTER OPTION	--
OUTLET PORT ADAPTER OPTION	--
OTHER INFORMATION	
CERTIFIED BY	-----
CERTIFIED DATE	-----
IMO ORDER NUMBER	-----
DATA REVISION NUMBER	-----



DRAWN	WLW	2-20-97			
CHECKED	WLW	2-25-97			
APPD	MJC	2-25-97			
PROCESS	METHODS				
COMMENTS: STANDARD ROTATION IS CLOCKWISE WHEN VIEWED FROM COUPLING END OF PUMP. SUCTION STRAINER AND DISCHARGE RELIEF VALVE MUST BE PROVIDED. ALIGNMENT: UNITS ARE ACCURATELY ALIGNED AT THE FACTORY. ALIGNMENT SHOULD BE CHECKED BEFORE STARTING TO ENSURE THAT IT IS STILL WITHIN .005 [0.13] F.W. PRESTARTING: FLUSH SUCTION PIPING BEFORE CONNECTING PUMP. PRIME AND VENT PUMP. DO NOT START PUMP WITH VALVES CLOSED. READ INSTRUCTION MANUAL FOR DETAILS BEFORE STARTING.					
THIRD ANGLE PROJECTION 		FIRST ORDER 810131	SIZE D	CAGE CODE 59180	DWG NO SDD18969
USED ON 3204/133		SCALE 1/4	WEIGHT SEE NOTE 5	SHEET 1 OF 1	TITLE OUTLINE STANDARD ___3D_CS_-156_