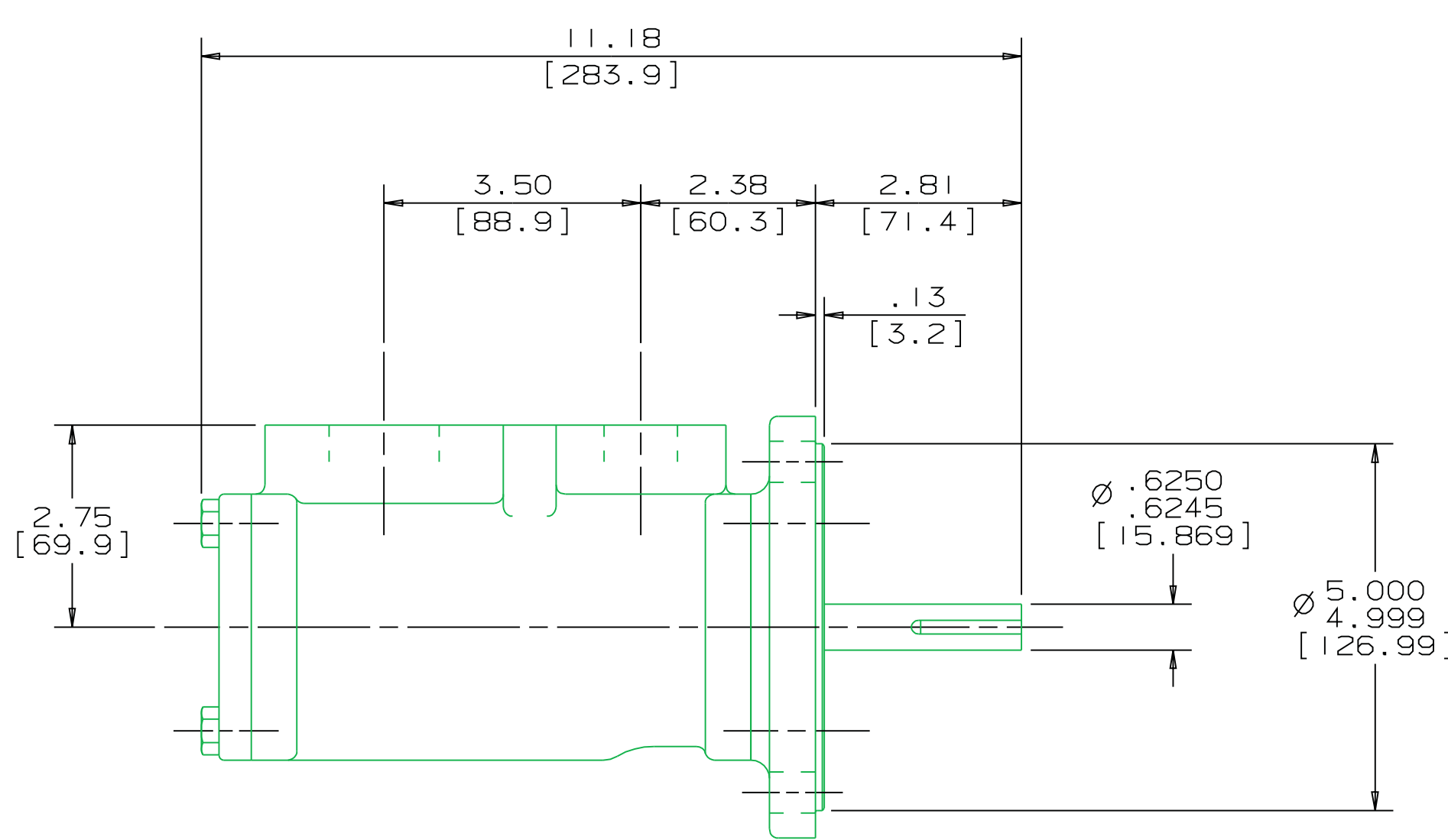
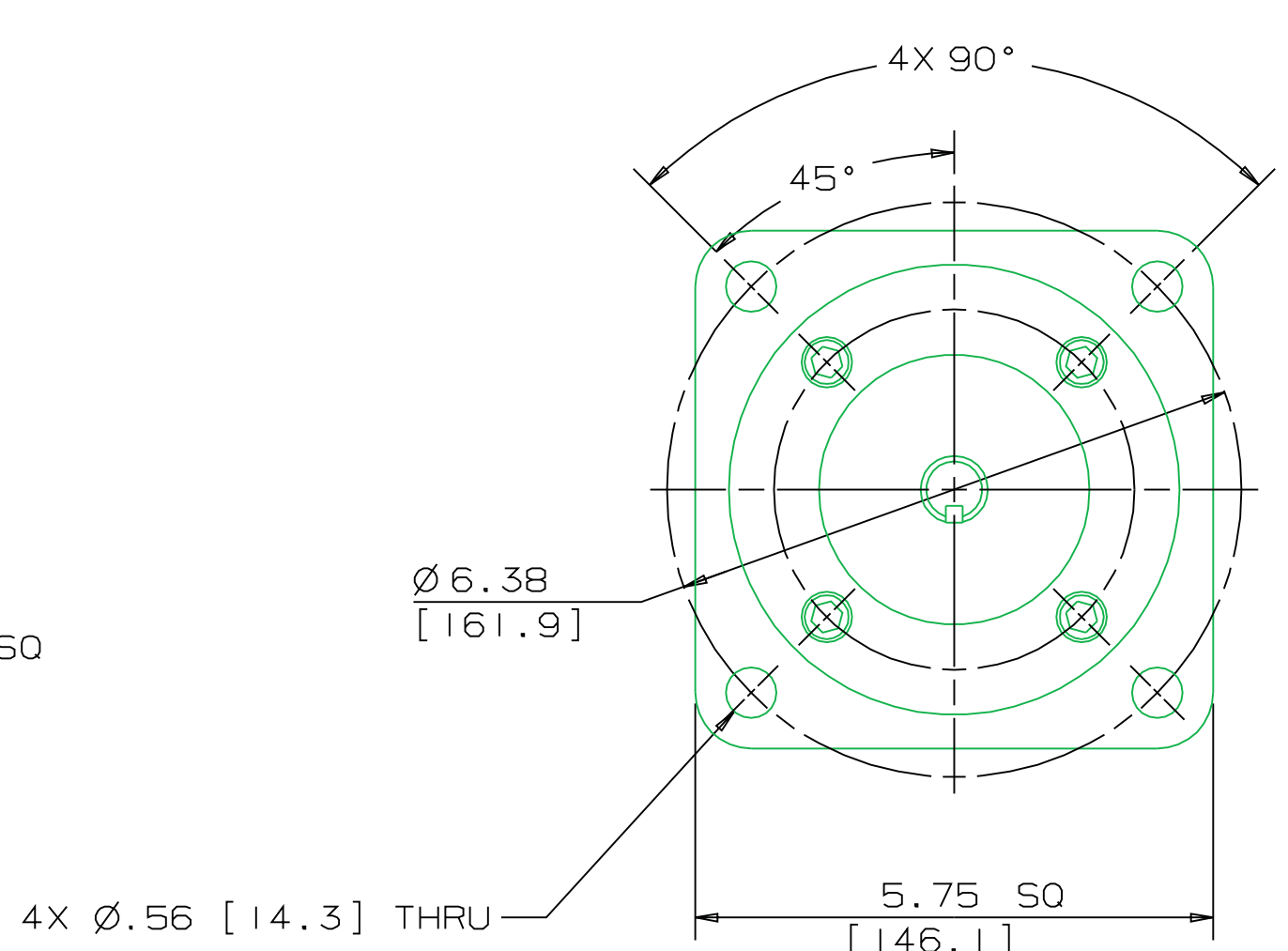
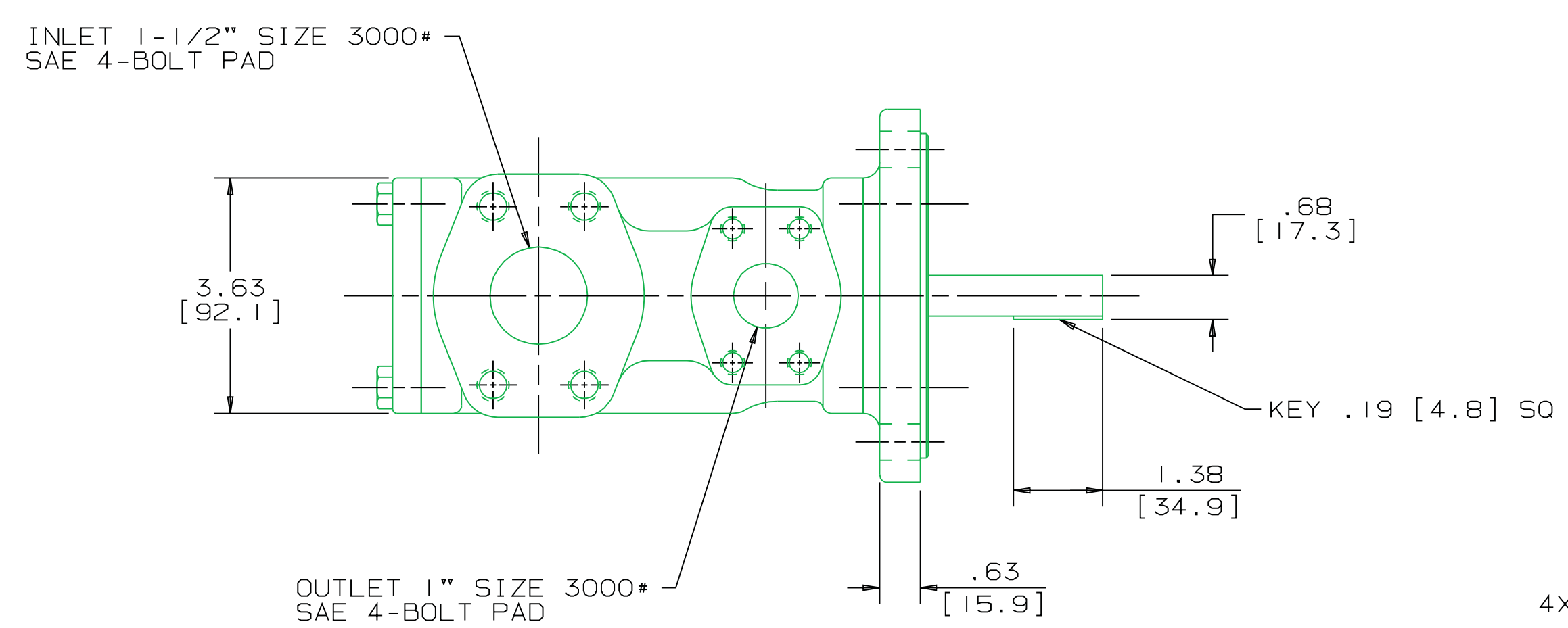
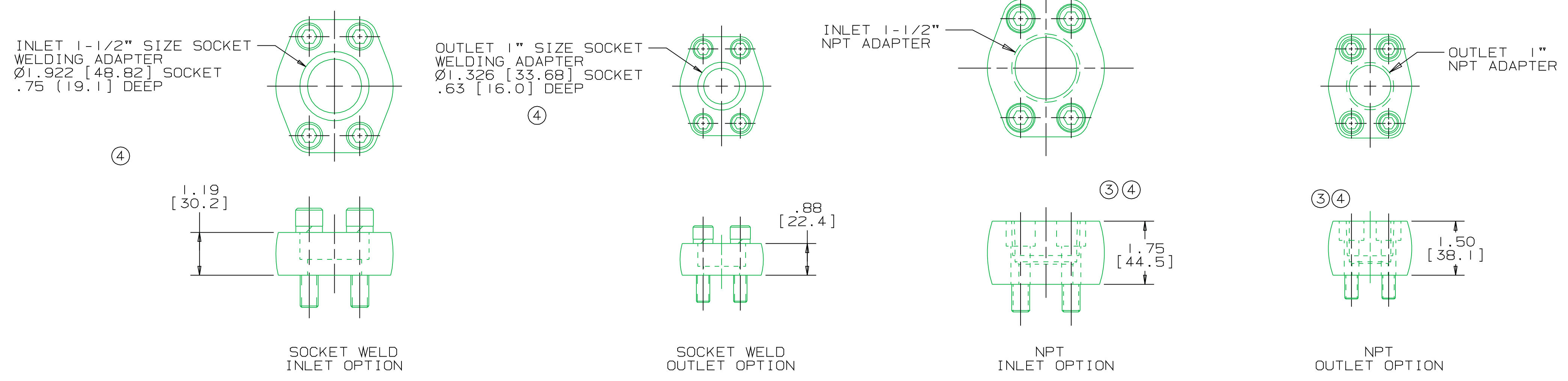


REVISION HISTORY					
CHG NO	ZONE	REV	DESCRIPTION	DATE	BY / APPROVED
01-0287	ALL	4	ALL ADAPTERS UPDATED TO REFLECT 9/99 ANCHOR CATALOG	6-11-01	DMM / DMM



← ROTATION →

DRAWING CERTIFICATION	
CUSTOMER NAME	-----
CUSTOMER PO NUMBER	---
CUSTOMER PART NUMBER	-
BOM NUMBER	-----
PUMP TYPE	-----
SHAFT ROTATION	-----
INLET PORT OPTION	---
OUTLET PORT OPTION	---
OTHER INFORMATION	
CERTIFIED BY	-----
CERTIFIED DATE	-----
IMO ORDER NUMBER	-----
DATA REVISION NUMBER	-

NOTES:
 1. UNLESS OTHERWISE SPECIFIED,
 ALL DIMENSIONS ARE IN INCHES.
 DIMENSIONS IN [] ARE MILLIMETERS.

DRAWN JTT 9-9-98			
CHECKED MJC 9-9-98			
APPROVED MJC 9-9-98		TITLE	
PROCESS		OUTLINE STANDARD _3EICS-118_	
METHODS		THIRD ANGLE PROJECTION	FIRST ORDER
COMMENTS: STANDARD ROTATION IS CLOCKWISE WHEN VIEWED FROM COUPLING END OF PUMP. SUCTION STRAINER AND DISCHARGE RELIEF VALVE MUST BE PROVIDED. UNITS ARE ACCURATELY ALIGNED AT THE FACTORY. ALIGNMENT SHOULD BE CHECKED BEFORE STARTING TO ENSURE THAT IT IS STILL WITHIN .005 [0.13] F.W. PRESTARTING: FLUSH SUCTION PIPING BEFORE CONNECTING PUMP. PRIME AND VENT PUMP. DO NOT START PUMP WITH VALVES CLOSED. READ INSTRUCTION MANUAL FOR DETAILS BEFORE STARTING.		SIZE	CAGE CODE
		5001811	59180
		DWG NO	SDD19529
		SCALE	1/2
		WEIGHT	30 LBS [13.6 kg]
		SHEET	1 OF 1