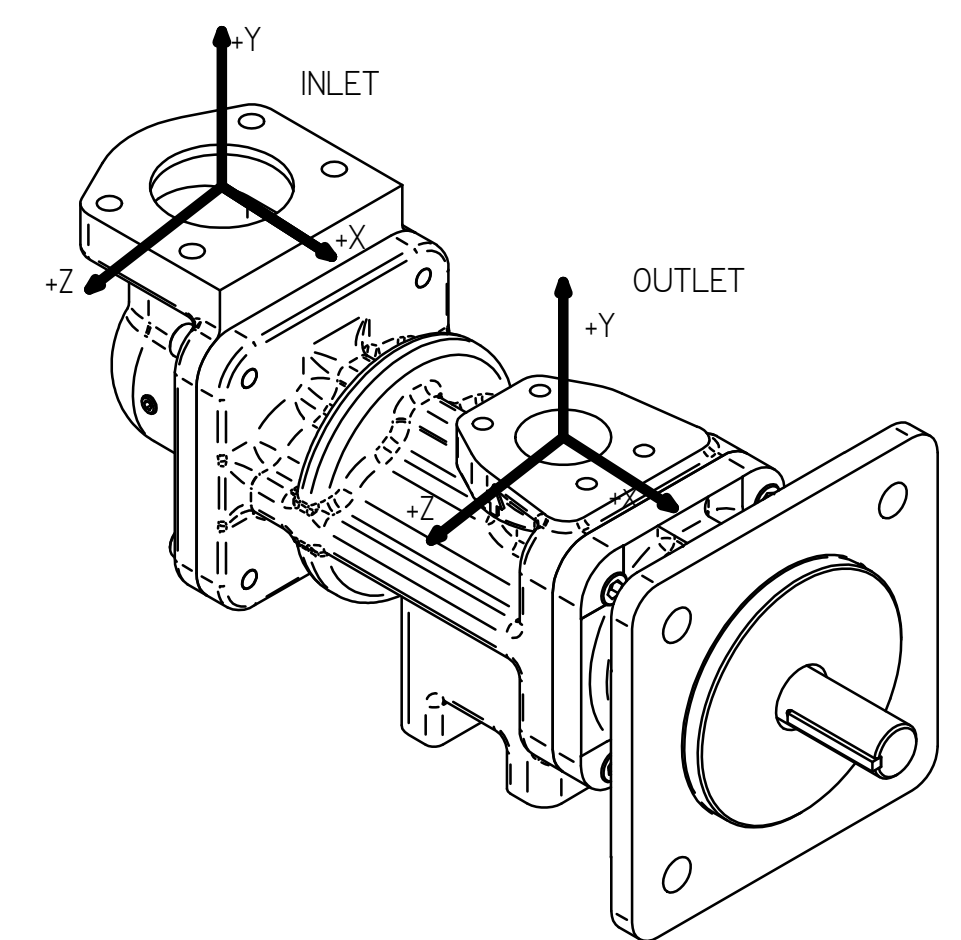
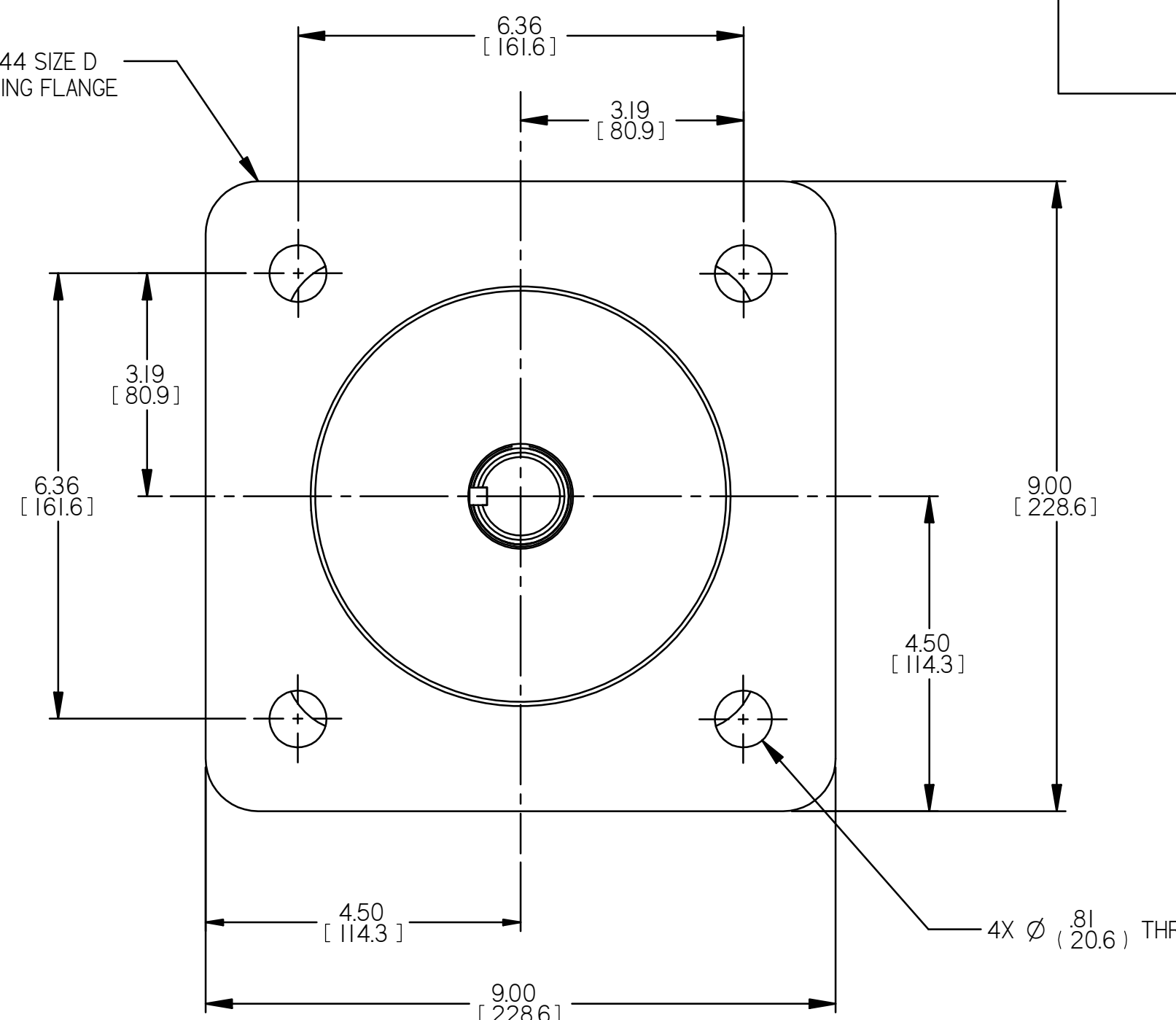
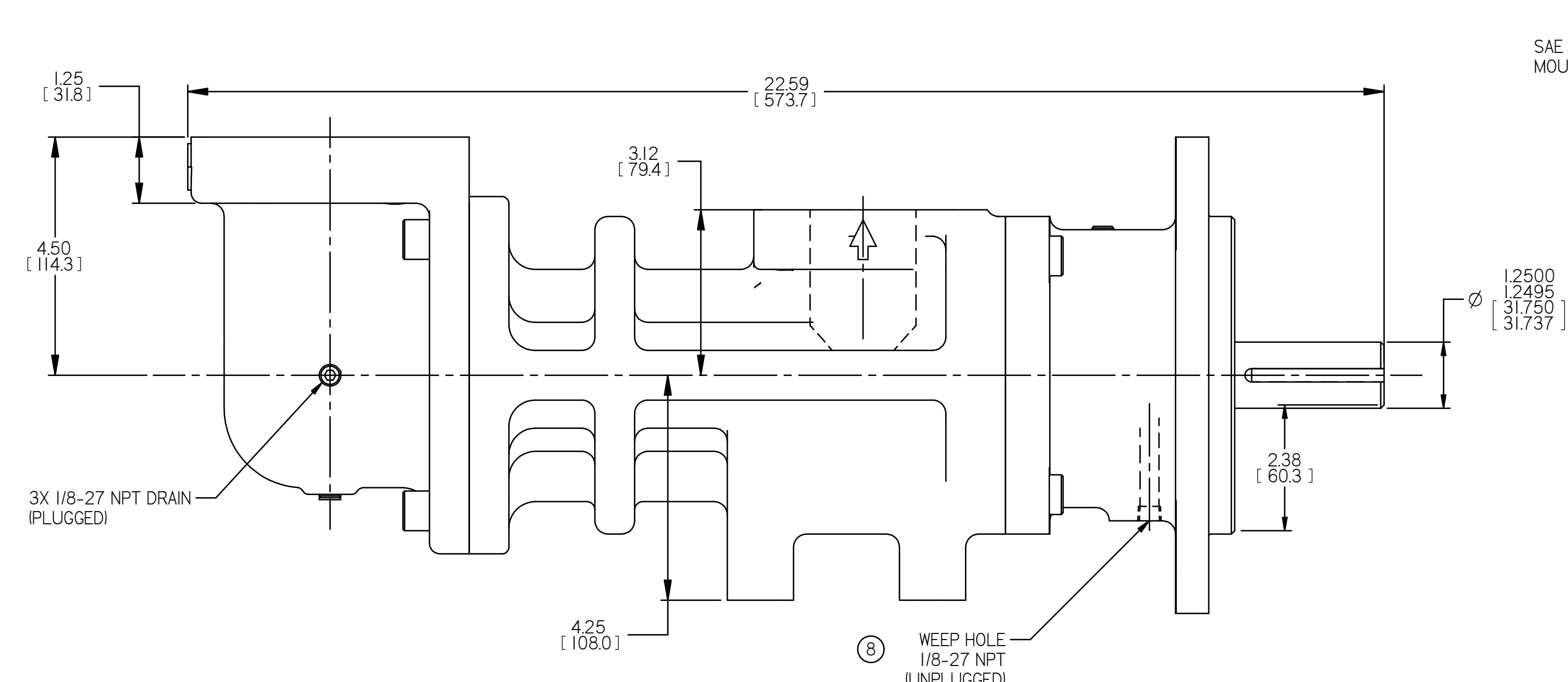
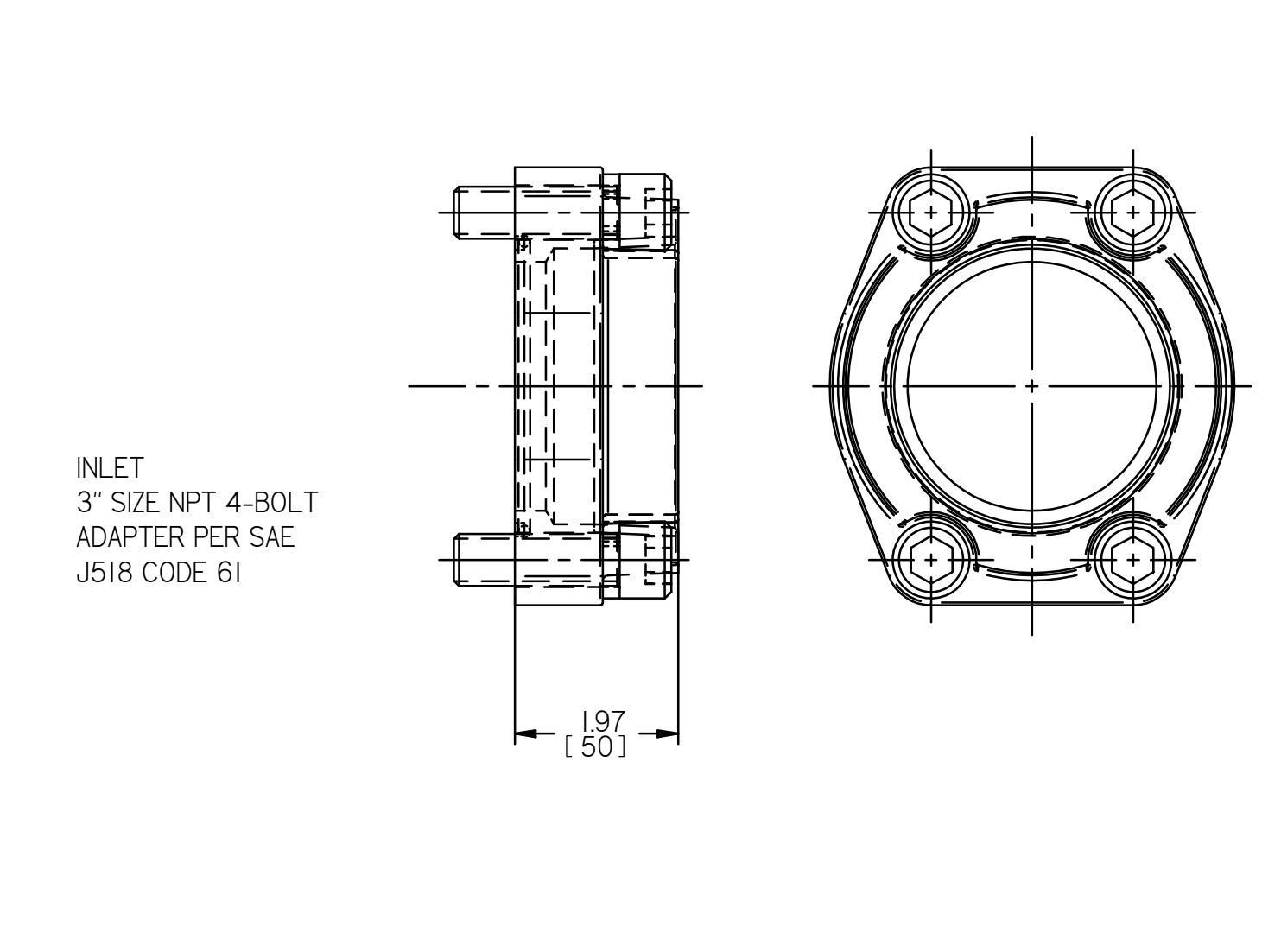
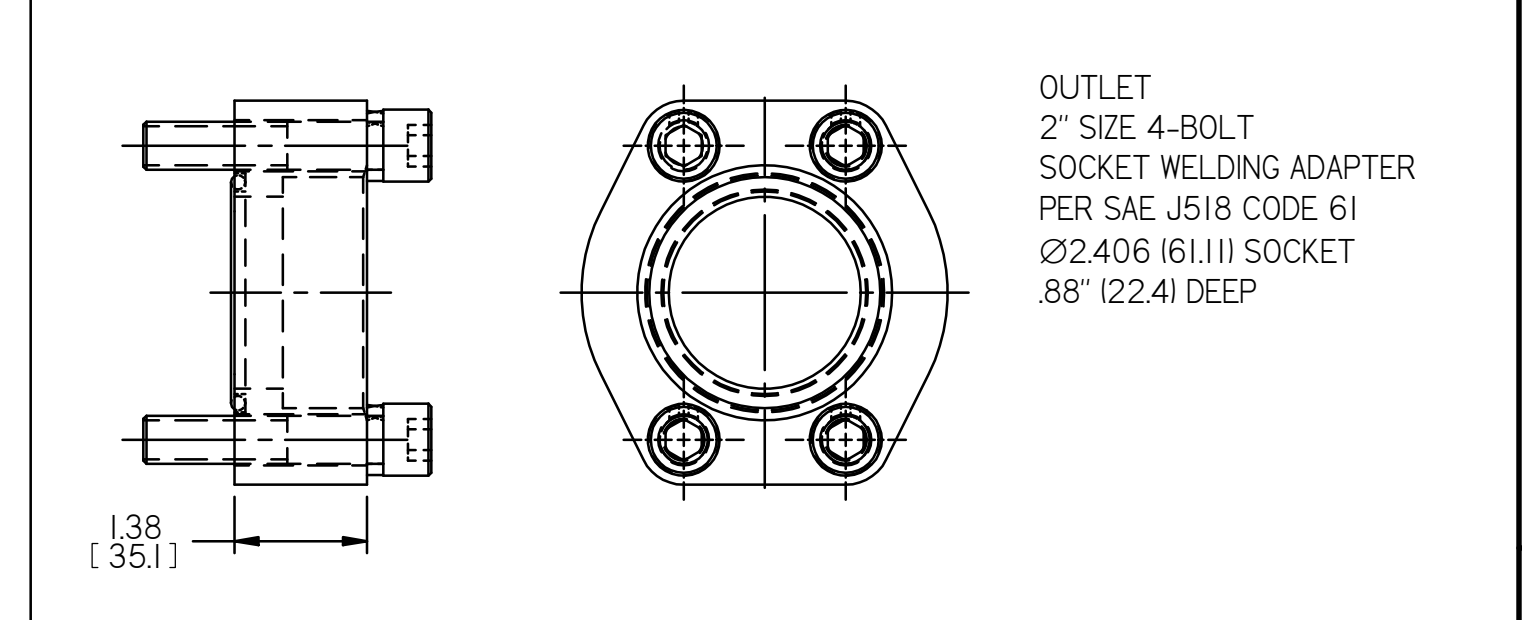
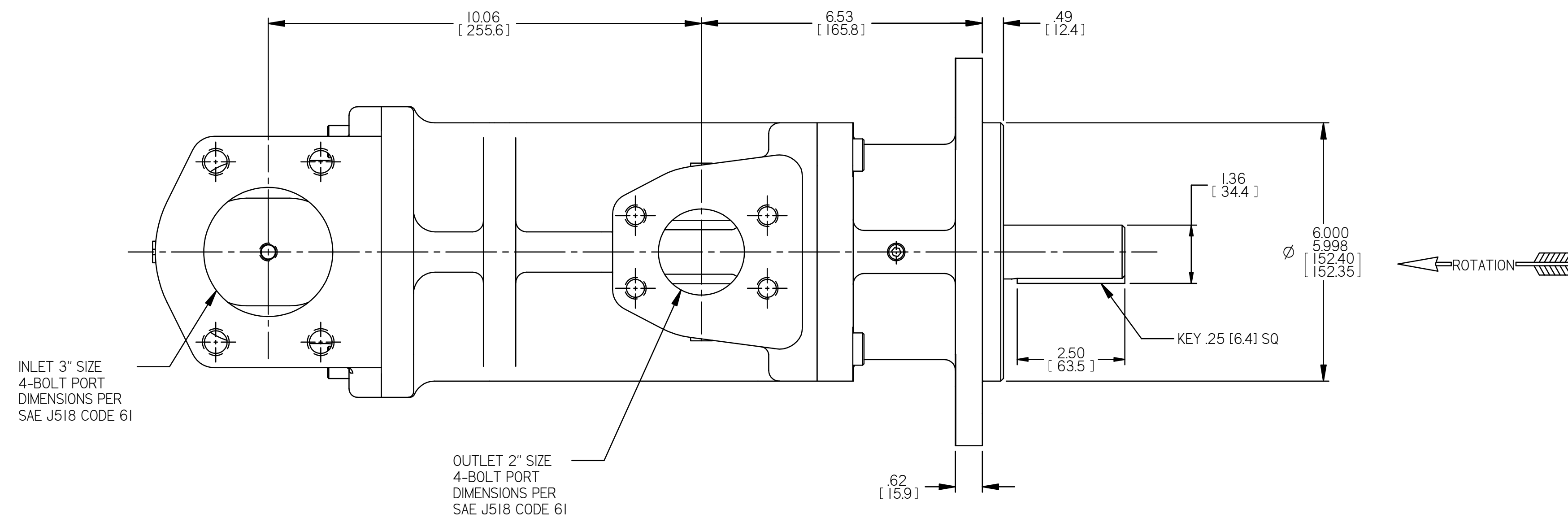
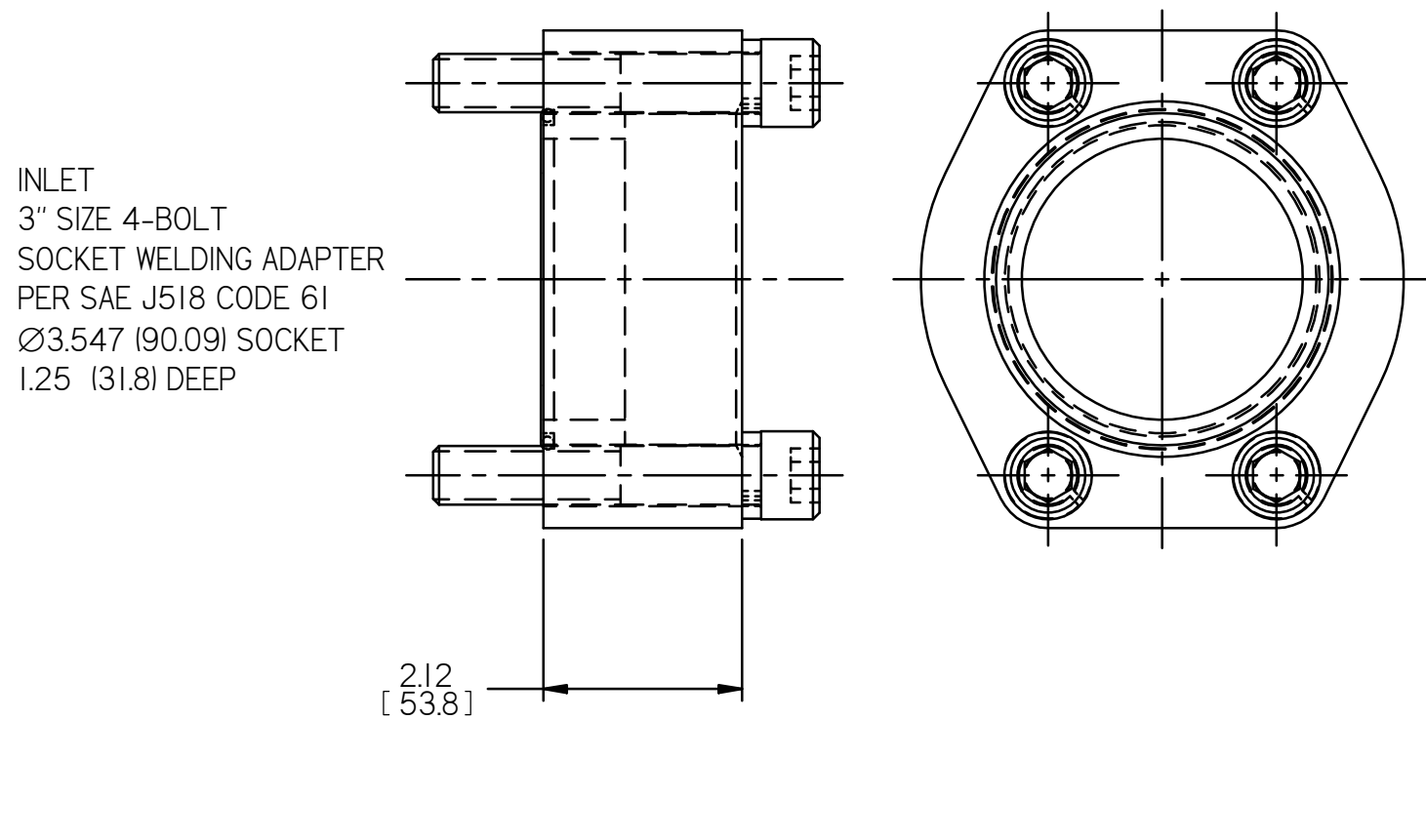


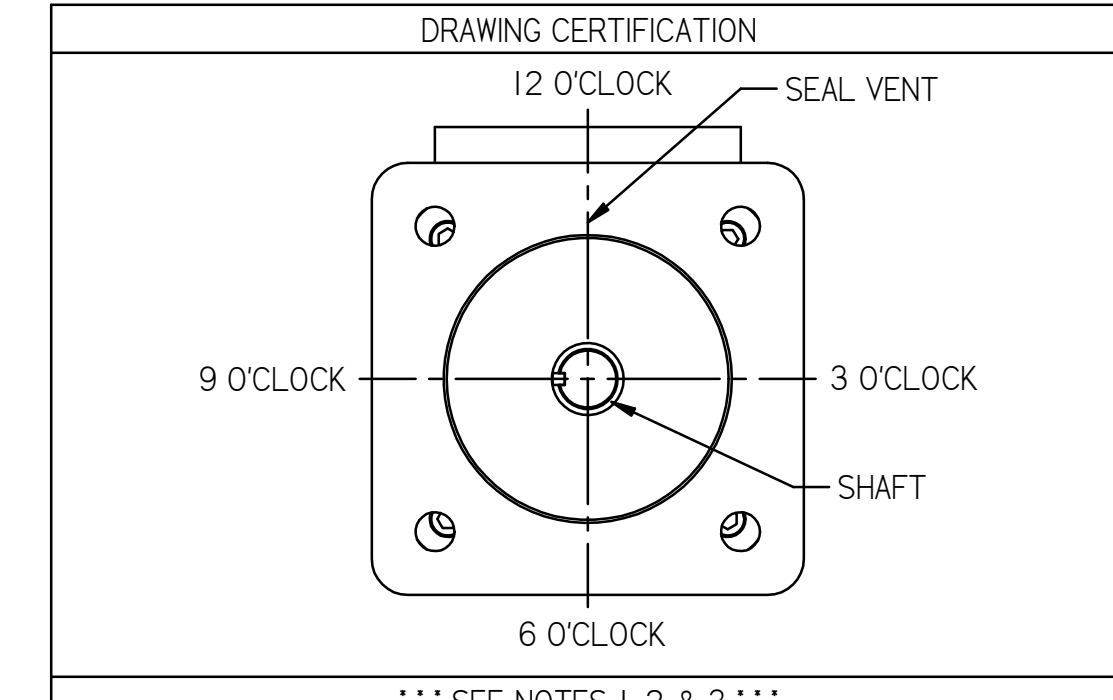
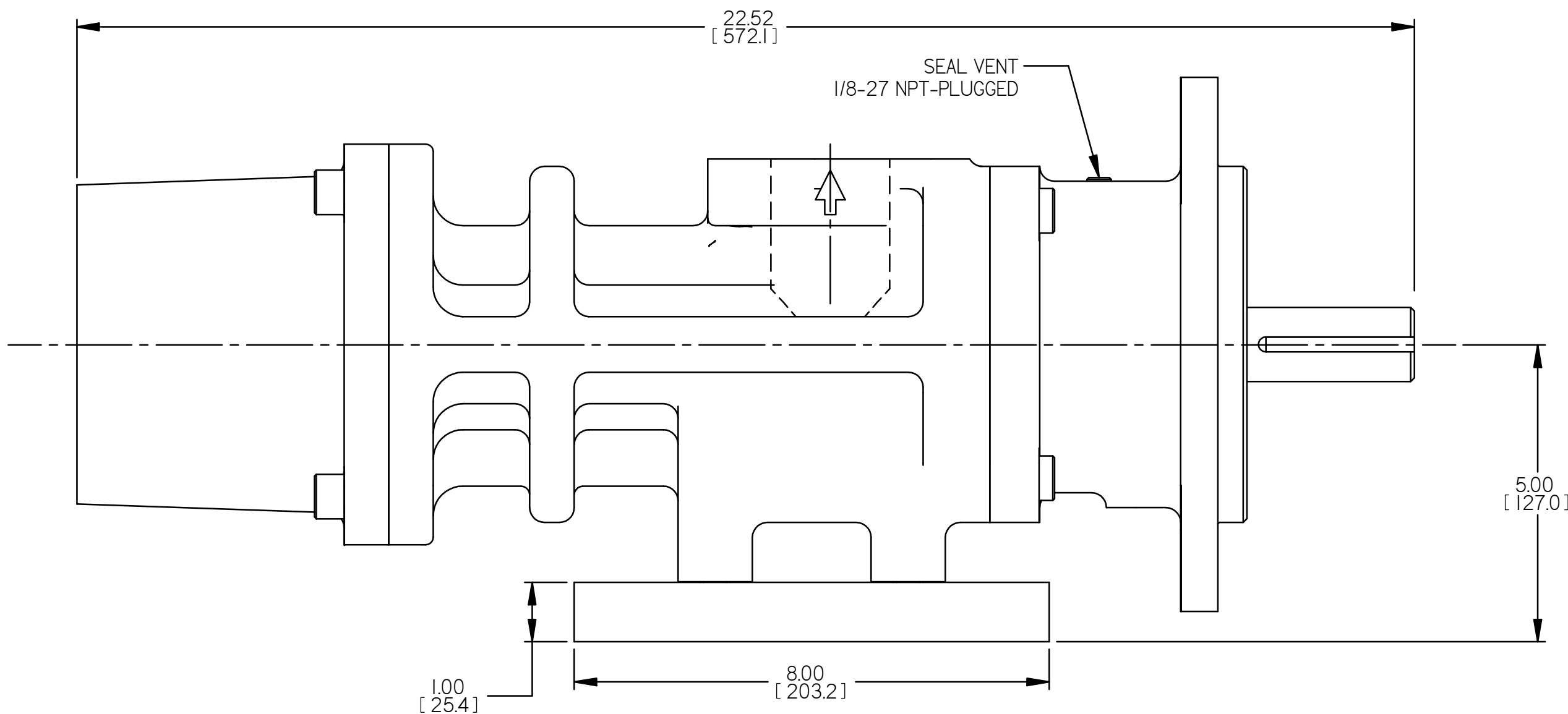
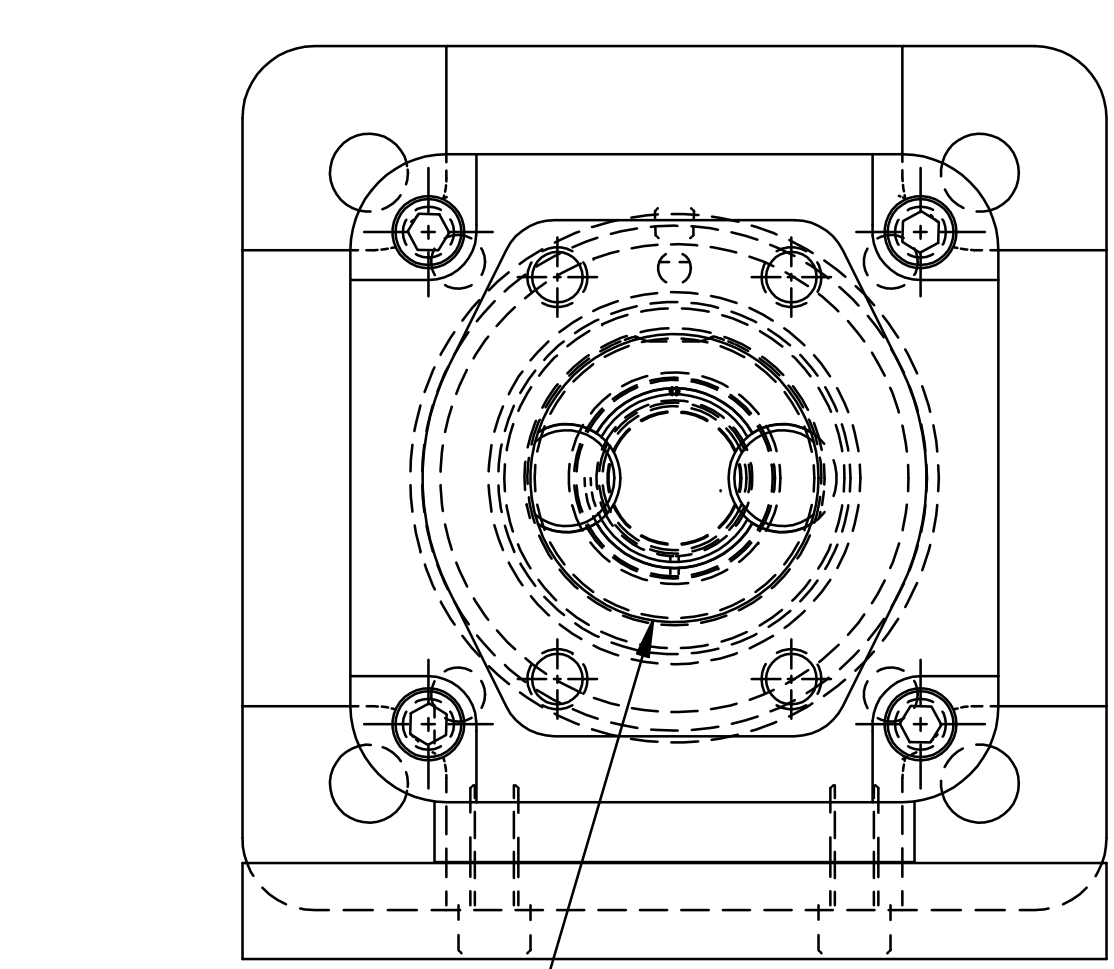
REVISION HISTORY					
CHG NO	ZONE	REV	DESCRIPTION	DATE	BY / APPROVED
22-0000	ALL	10	UPDATED TITLE BLOCK, FORCES & MOMENTS STAMP	1-27-22	CDG / CDG



OPTIONAL INLET PORT ADAPTER

OPTIONAL OUTLET PORT ADAPTER

VIEWS FOR ALTERNATIVE AXIAL INLET, FOOT MOUNT, AND WEEP HOLE



COORDINATE SYSTEM FOR MAXIMUM PUMP FORCES (F) AND MOMENTS (M)

	LB F	N
INLET Fx, Fy, Fz	225	1000
OUTLET Fx, Fy, Fz	150	667

	LB FT	Nm
INLET Mx, My, Mz	375	508
OUTLET Mx, My, Mz	250	339

FORCE AND MOMENT VALUES ARE RELATIVE TO CENTER OF INLET AND OUTLET PORT FACES.

CUSTOMER NAME: \_\_\_\_\_

CUSTOMER PURCHASE ORDER NUMBER: \_\_\_\_\_

CUSTOMER PART NUMBER: \_\_\_\_\_

BILL OF MATERIAL NUMBER: \_\_\_\_\_

PUMP TYPE: \_\_\_\_\_

SHAFT ROTATION: \_\_\_\_\_

INLET PORT ORIENTATION: \_\_\_\_\_

OUTLET PORT ORIENTATION: \_\_\_\_\_

FOOT BRACKET ORIENTATION: \_\_\_\_\_

INLET PORT OPTION: \_\_\_\_\_

INLET ADAPTER OPTION: \_\_\_\_\_

RELIEF VALVE SET PRESSURE: \_\_\_\_\_ IF APPLICABLE

OTHER INFORMATION: \_\_\_\_\_

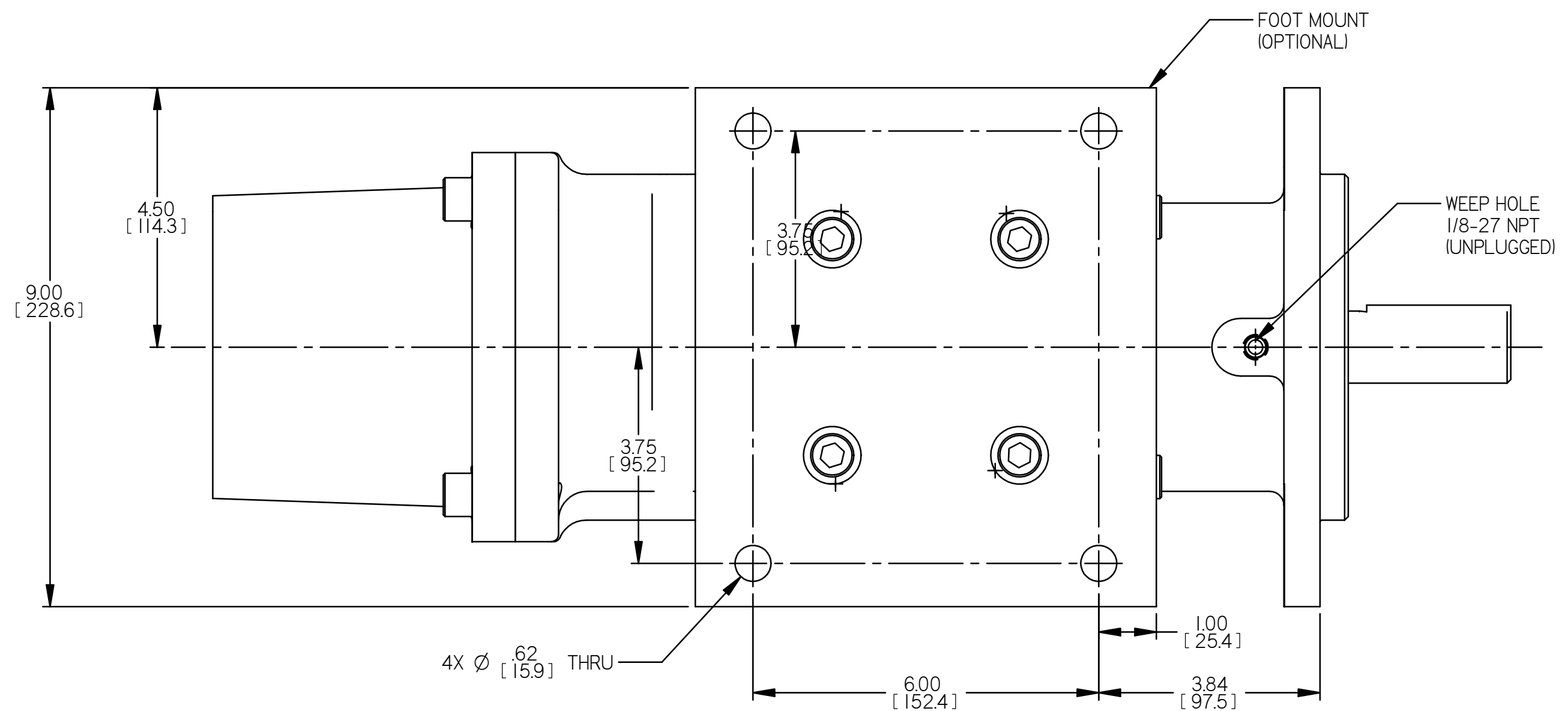
CERTIFIED BY: \_\_\_\_\_

CERTIFIED DATE: \_\_\_\_\_

IMO ORDER NUMBER: \_\_\_\_\_

DATA REVISION NUMBER: \_\_\_\_\_

- NOTES:
- TO MAXIMIZE SEAL LIFE, SEAL VENT MUST BE ORIENTED UPWARD (12 O'CLOCK) WHEN PUMP IS INSTALLED HORIZONTALLY. VENT ORIENTATION IS NOT CRITICAL WHEN PUMP IS INSTALLED WITH SHAFT VERTICALLY UPWARD.
  - PORT, FOOT, AND SEAL VENT ORIENTATIONS ARE SUPPLIED AS SHOWN ON DRAWING UNLESS OTHERWISE SPECIFIED
  - ALTERNATE PORT AND FOOT ORIENTATIONS ARE PROVIDED IF SPECIFIED ON ORDER. AVAILABLE ORIENTATIONS ARE 3, 6, 9, AND 12 O'CLOCK.
  - BOLT PATTERN FOR SAE 4-BOLT AXIAL INLET IS ALWAYS ORIENTED AS SHOWN WITH RESPECT TO OUTLET PORT.
  - APPROXIMATE PUMP WEIGHT (WITHOUT ADAPTERS)  
 FLANGE MOUNT PUMP-----155 LBS. [70.3 kgs]  
 FOOT MOUNT PUMP-----175 LBS. [79.4 kgs]
  - UNLESS OTHERWISE SPECIFIED, ALL DIMENSIONS ARE IN INCHES. DIMENSIONS IN [ ] ARE MILLIMETERS



UNLESS OTHERWISE SPECIFIED ASME Y14.5M-1994

EDMOUNTS  
 SECTION STRAINER AND DISCHARGE RELIEF VALVE MUST BE PROVIDED  
 ALIGNMENT  
 UNITS ARE ACCURATELY ALIGNED AT THE FACTORY. ALIGNMENT SHOULD BE CHECKED BEFORE STARTING TO ENSURE THAT IT IS STILL WITHIN TOLERANCES.  
 RECHECKING  
 FLUSH SUCTION PUMP BEFORE CONNECTING PUMP. PRIME AND VENT PUMP. READ INSTRUCTION MANUAL FOR DETAILS BEFORE STARTING.

DRAWN	VAH	8-21-01		
CHECKED	DMM	11-12-01		
APP'D	BES	11-21-01		
PROCESS	METHODS		TITLE	OUTLINE STANDARD (STEEL)
			3G/_S_ [187&200]	
			CAGE CODE	59180
			FIRST ORDER	SDI9981
			SCALE	1/2
			WEIGHT	SEE NOTE 5
			SHEET	1 OF 1