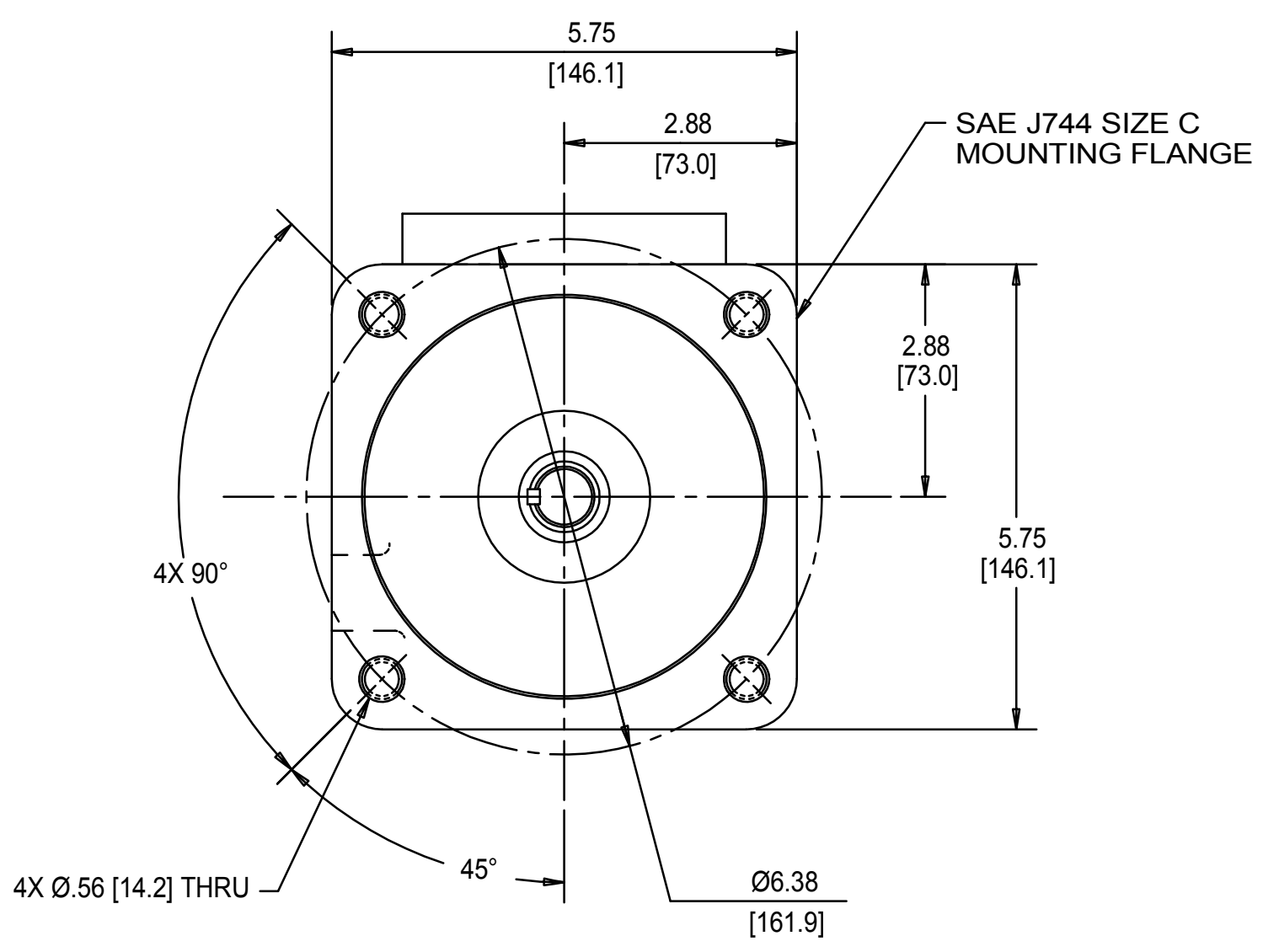
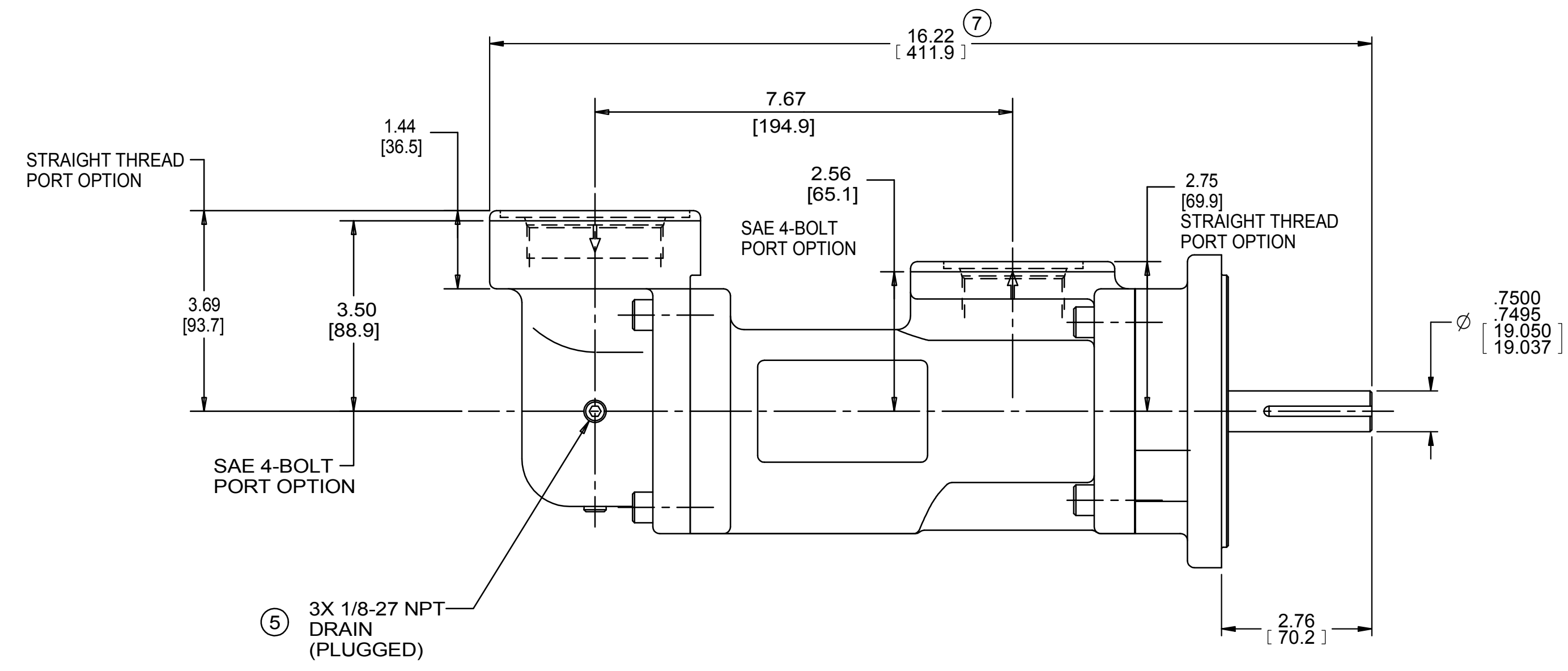
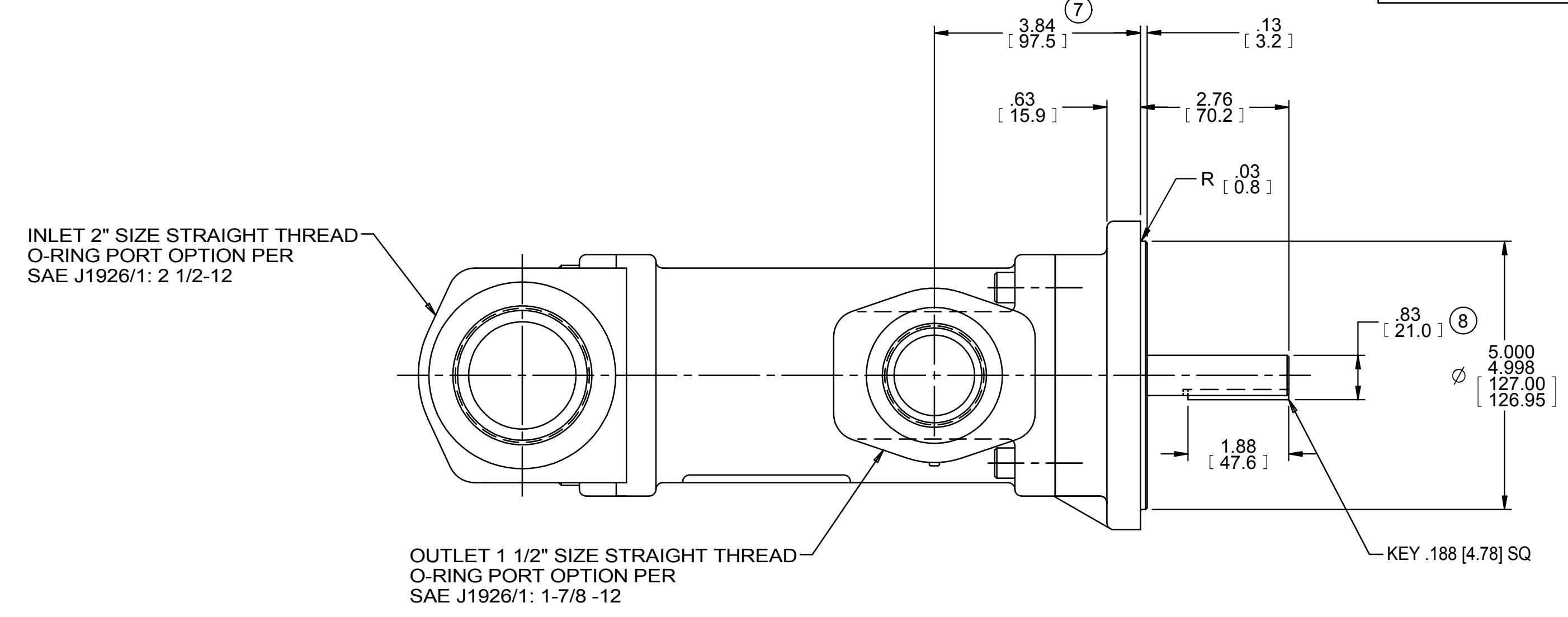
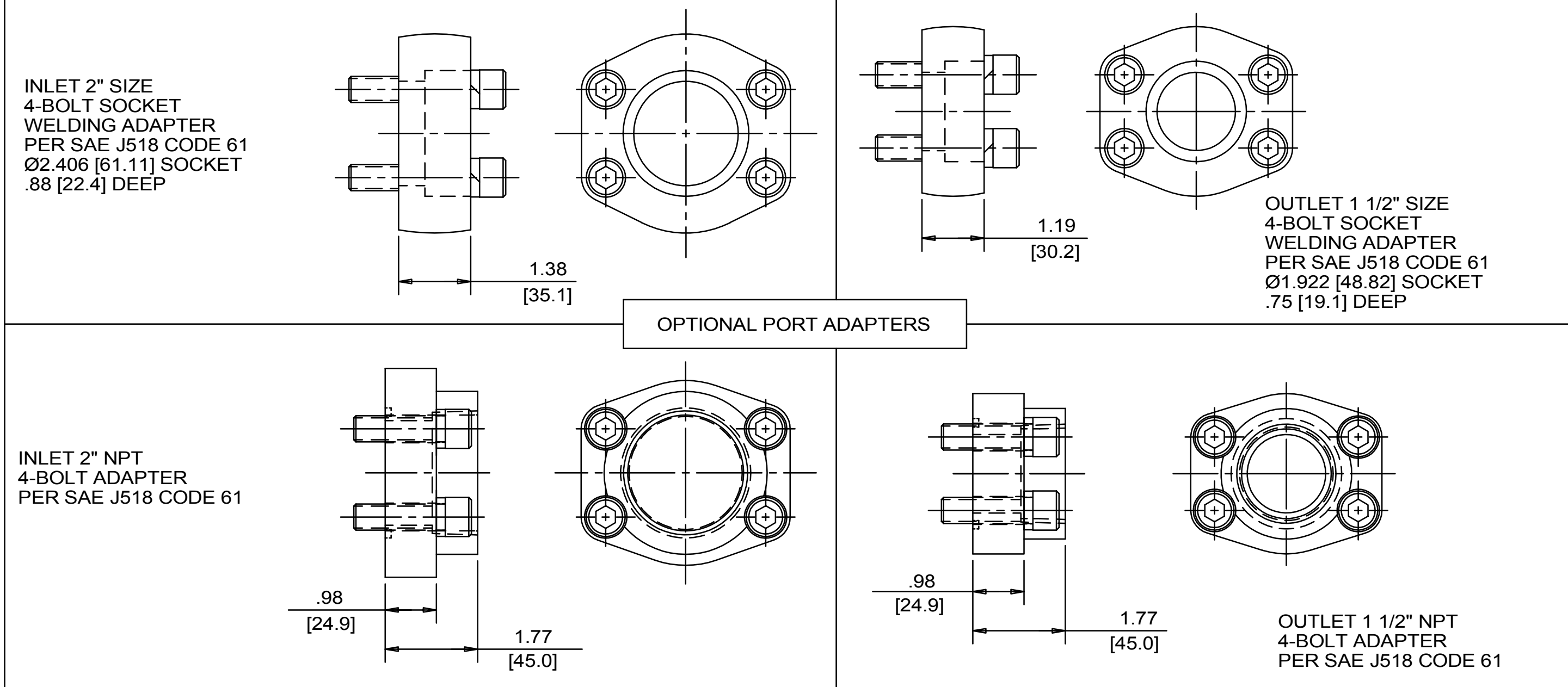
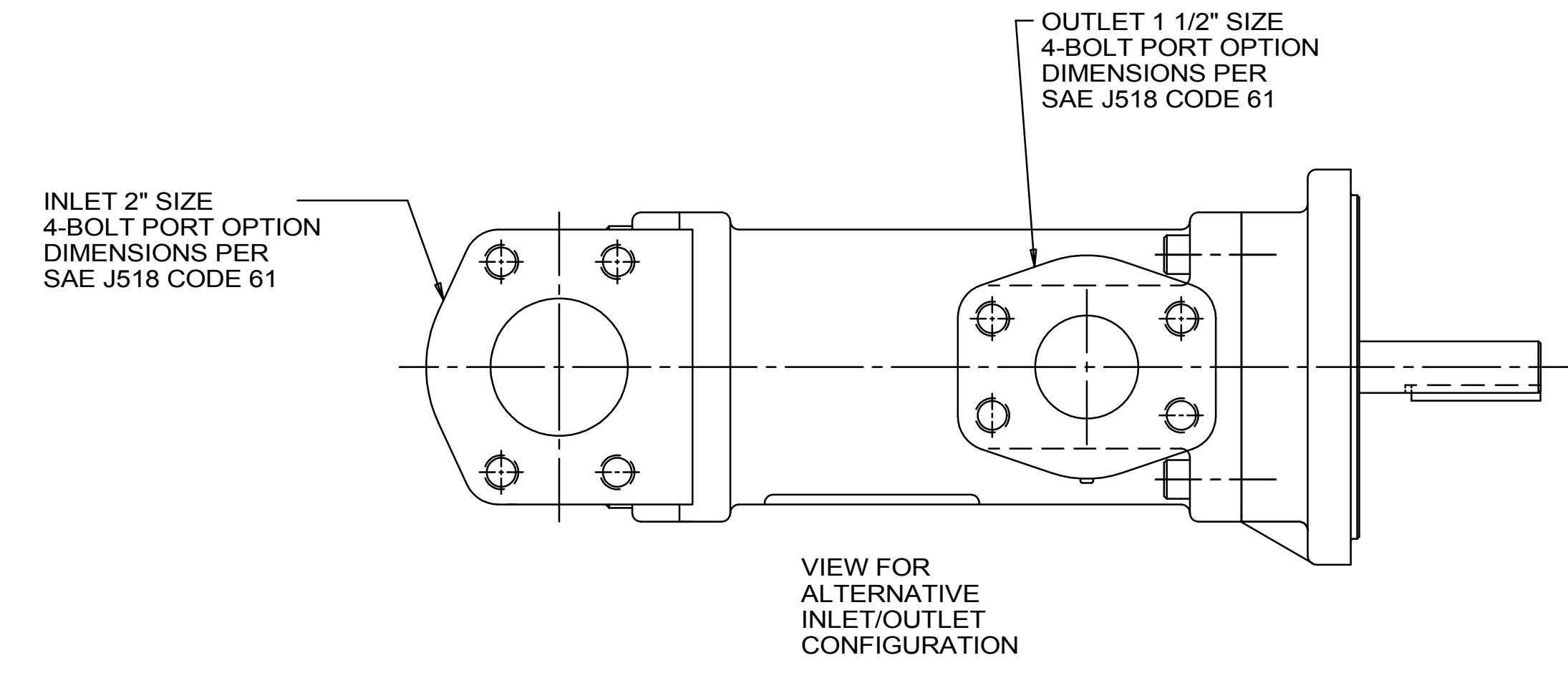
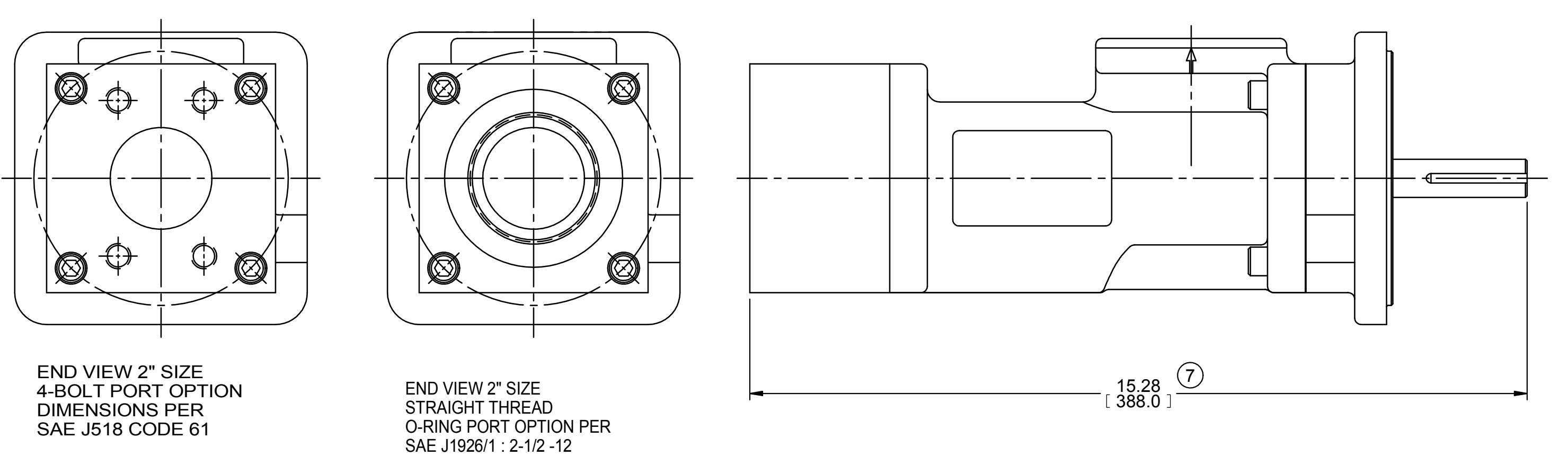


REVISION HISTORY				DATE	BY	APPROVED
CHG NO	ZONE	REV	DESCRIPTION			
22-0000	ALL	9	UPDATED TITLE BLOCK, FORCES & MOMENTS STAMP	I-27-22	CDG	CDG



VIEWS FOR ALTERNATE AXIAL INLET PORT CONFIGURATION



- NOTES:
- PORT ORIENTATIONS SUPPLIED AS SHOWN UNLESS OTHERWISE SPECIFIED.
 - ALTERNATE RADIAL INLET PORT ORIENTATION PROVIDED IF SPECIFIED ON ORDER. AVAILABLE ALTERNATE ORIENTATIONS ARE 3, 6, 9, AND 12 O'CLOCK RELATIVE TO OUTLET PORT.
 - BOLT PATTERN FOR SAE 4-BOLT AXIAL INLET IS ALWAYS ORIENTED AS SHOWN WITH RESPECT TO OUTLET PORT.
 - APPROXIMATE PUMP WEIGHT (WITHOUT ADAPTERS): 41.3 LBS. (18.8 kgs)
 - UNLESS OTHERWISE SPECIFIED, ALL DIMENSIONS ARE IN INCHES. DIMENSIONS IN [] ARE MILLIMETERS.

DRAWING CERTIFICATION

12 O'CLOCK

9 O'CLOCK

3 O'CLOCK

6 O'CLOCK

SEE NOTES 1, 2 & 3

CUSTOMER NAME

CUSTOMER PO NUMBER

CUSTOMER PART NUMBER

BOM NUMBER

PUMP TYPE

SHAFT ROTATION

INLET PORT ORIENTATION

INLET PORT OPTION

INLET ADAPTER OPTION

OUTLET PORT OPTION

OUTLET ADAPTER OPTION

OTHER INFORMATION

CERTIFIED BY

CERTIFIED DATE

IMO ORDER NUMBER

DATA REVISION NUMBER

DRAWN	CDH	6-14-99		
CHECKED	NRS	6-15-99		
APPROVED	CDH	6-15-99		
TITLE	OUTLINE STANDARD (IRON)			
PROCESS	3G/NN_IA[143/162]_			
UNLESS OTHERWISE SPECIFIED ASME Y14.5M-1994	FIRST ORDER	E1102A	SIZE	F
<small> IDENTIFY: SUCTION STRAINER AND DISCHARGE RELIEF VALVE MUST BE PROVIDED ALIGNMENT: UNITS ARE ACCURATELY ALIGNED AT THE FACTORY. ALIGNMENT SHOULD BE CHECKED BEFORE STARTING TO ENSURE THAT IT IS STILL WITHIN TOLERANCES. ID (I/F/M): IDENTIFY. FLUSH: FLUSH SUCTION PUMP BEFORE CONNECTING PUMP. PRIME AND VENT PUMP. READ INSTRUCTION MANUAL FOR DETAILS BEFORE STARTING. </small>	SCALE	1/2	WEIGHT	SEE NOTE 4
	SHEET	4	OF	1