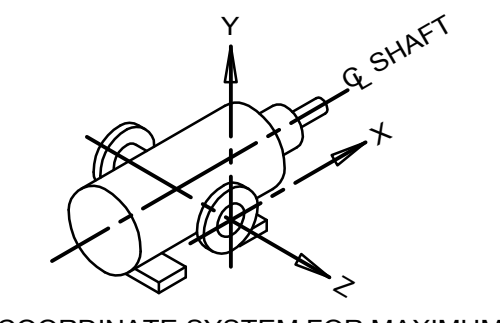
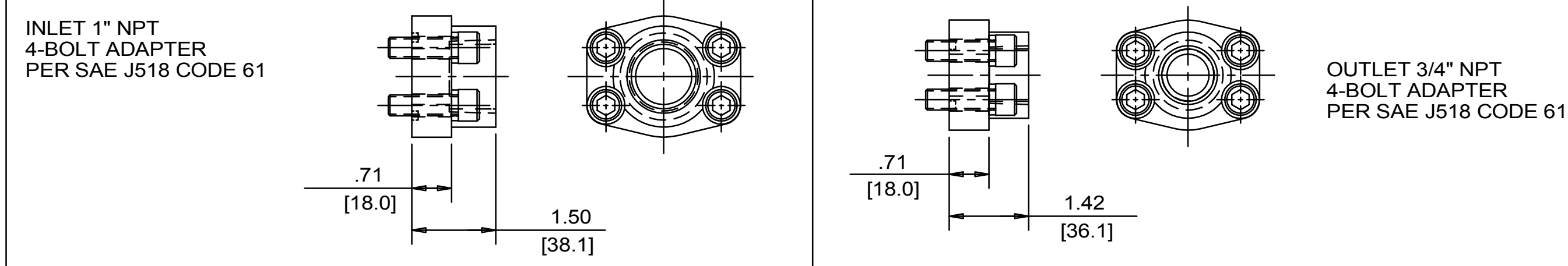
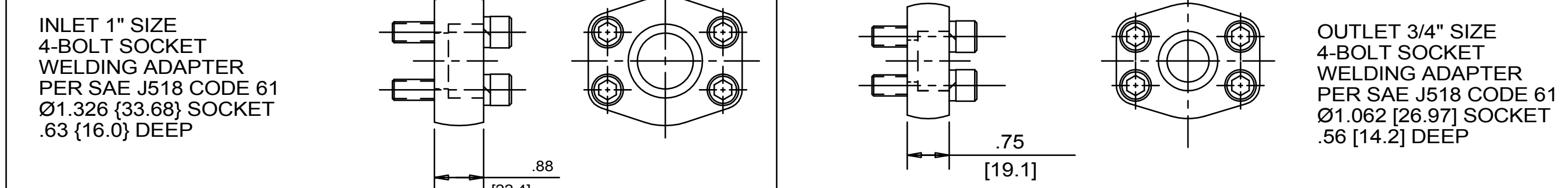
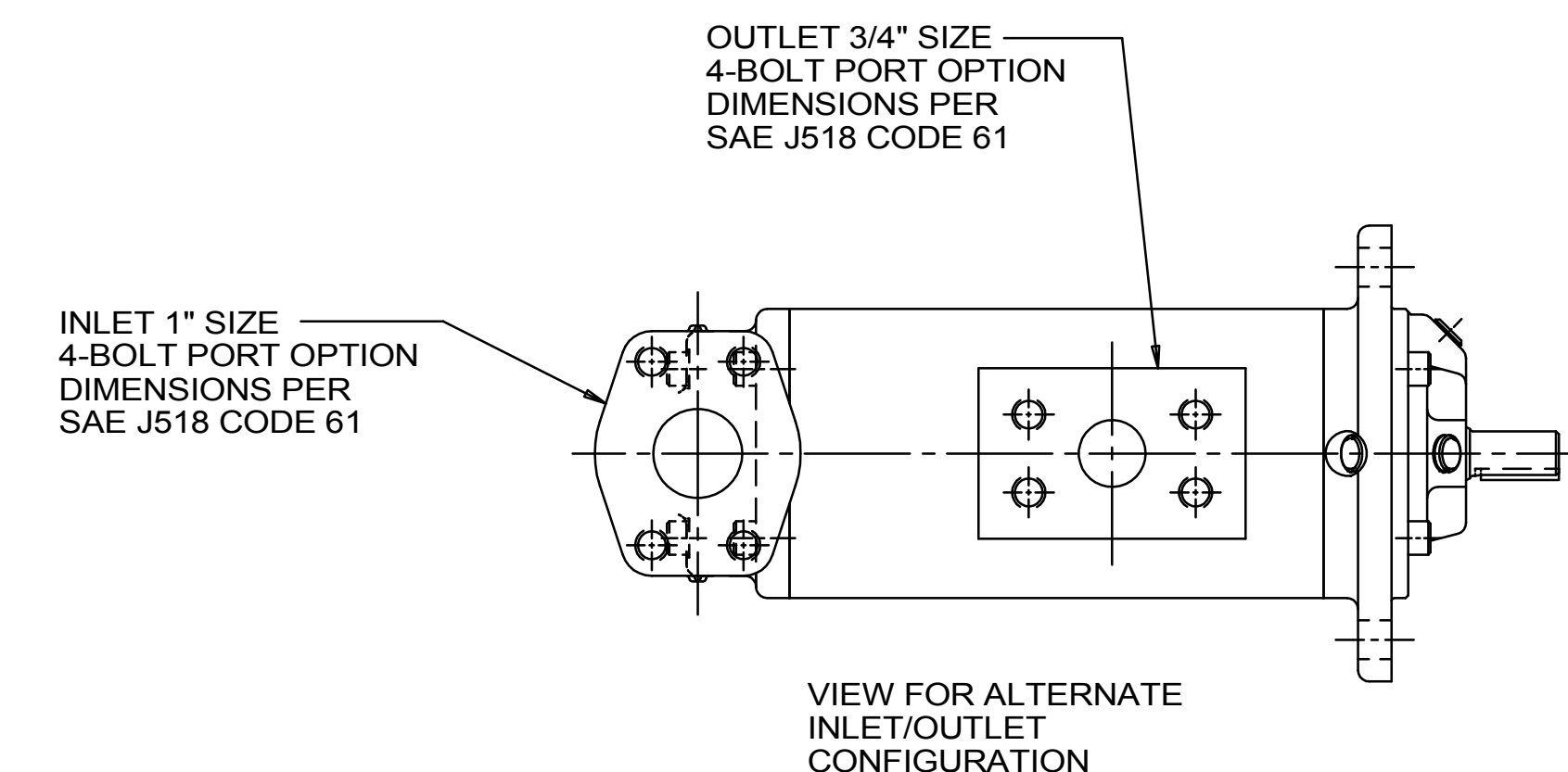


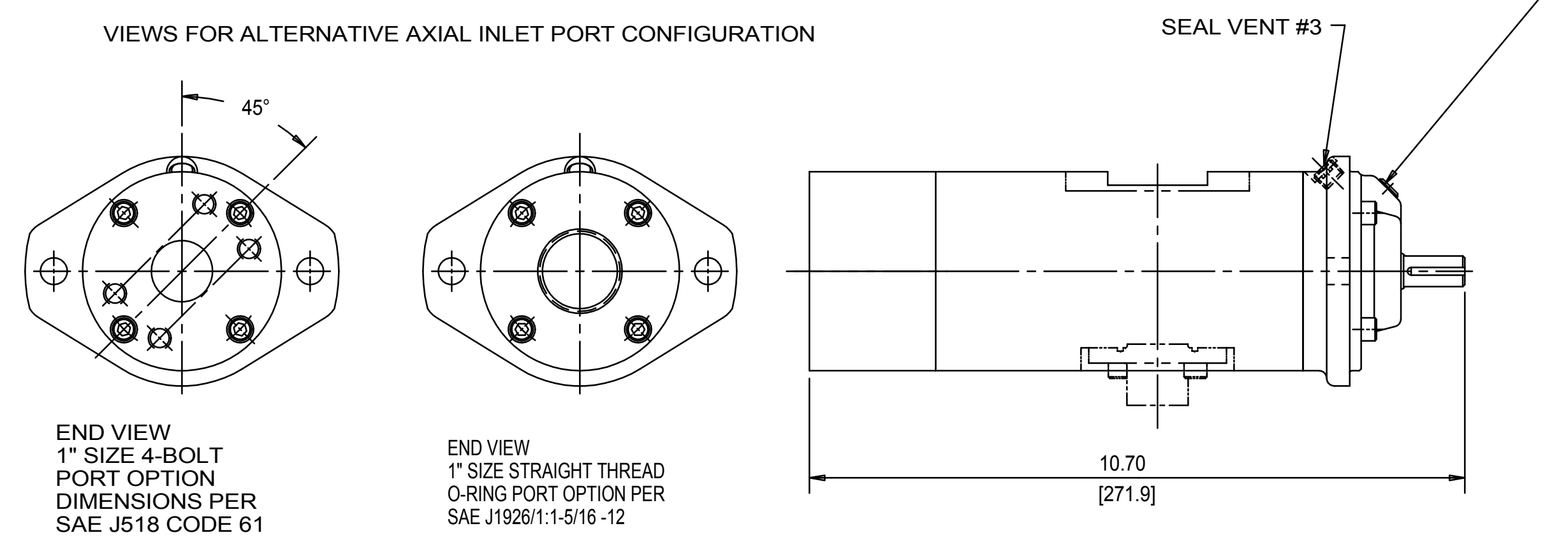
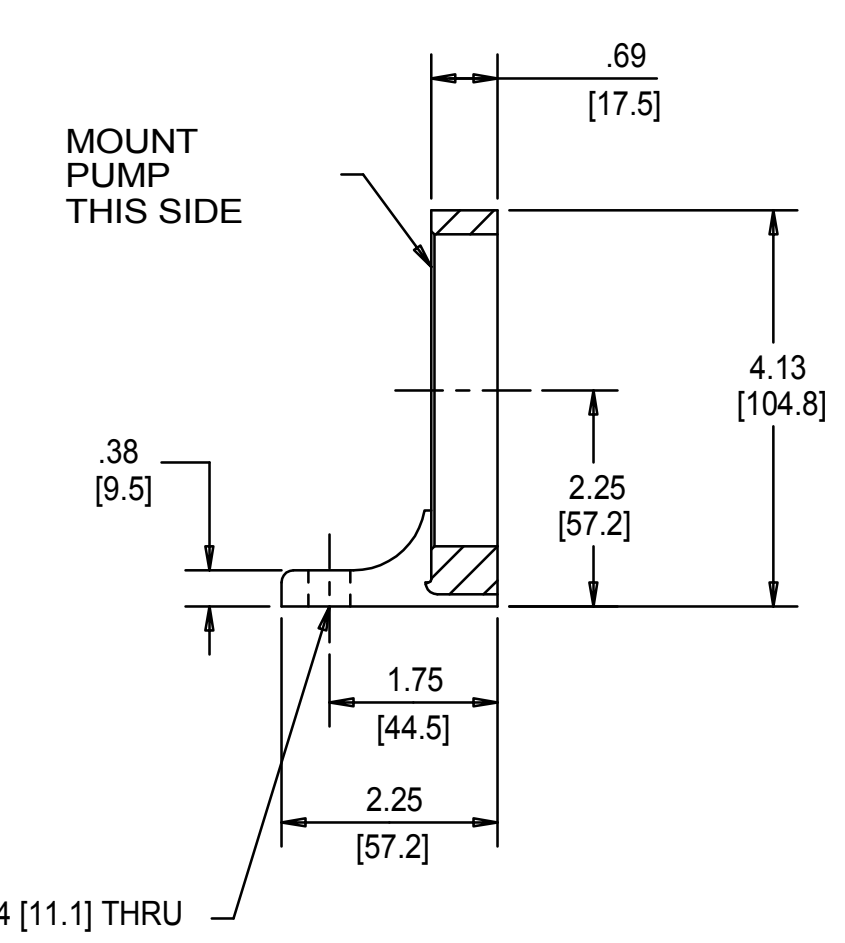
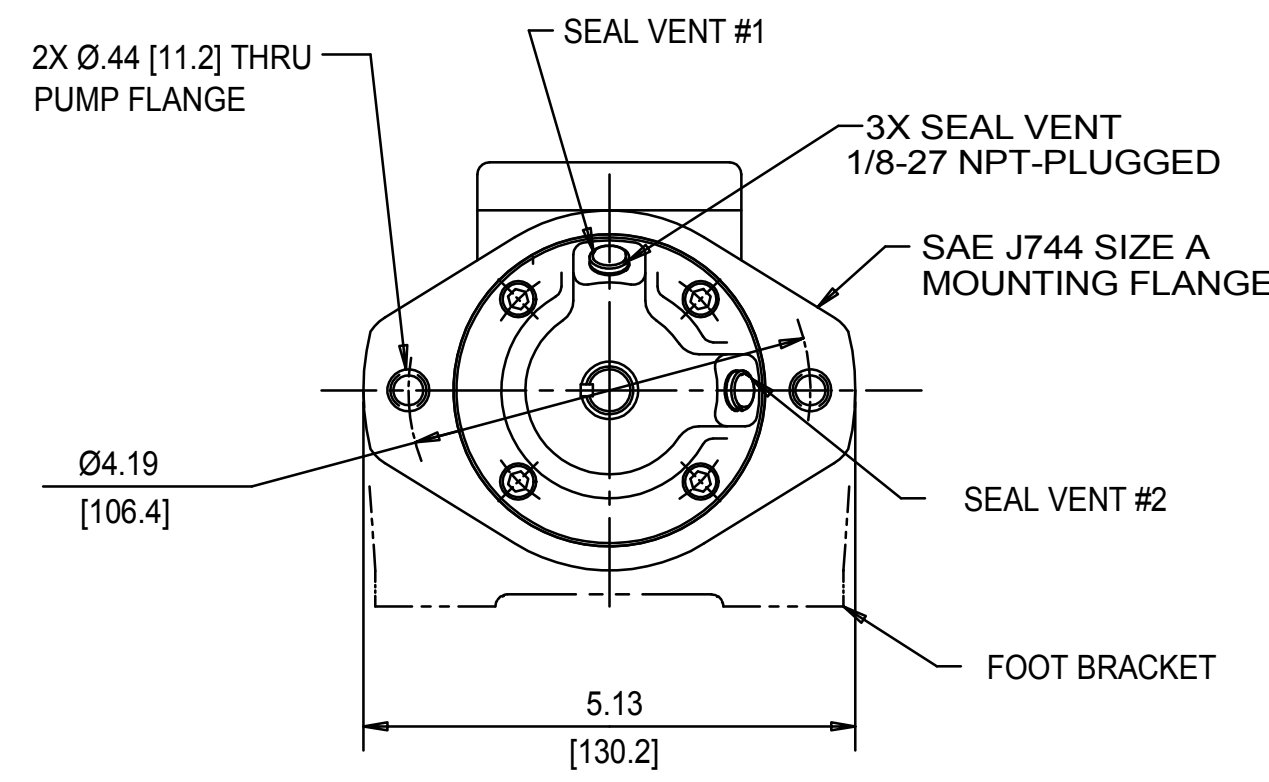
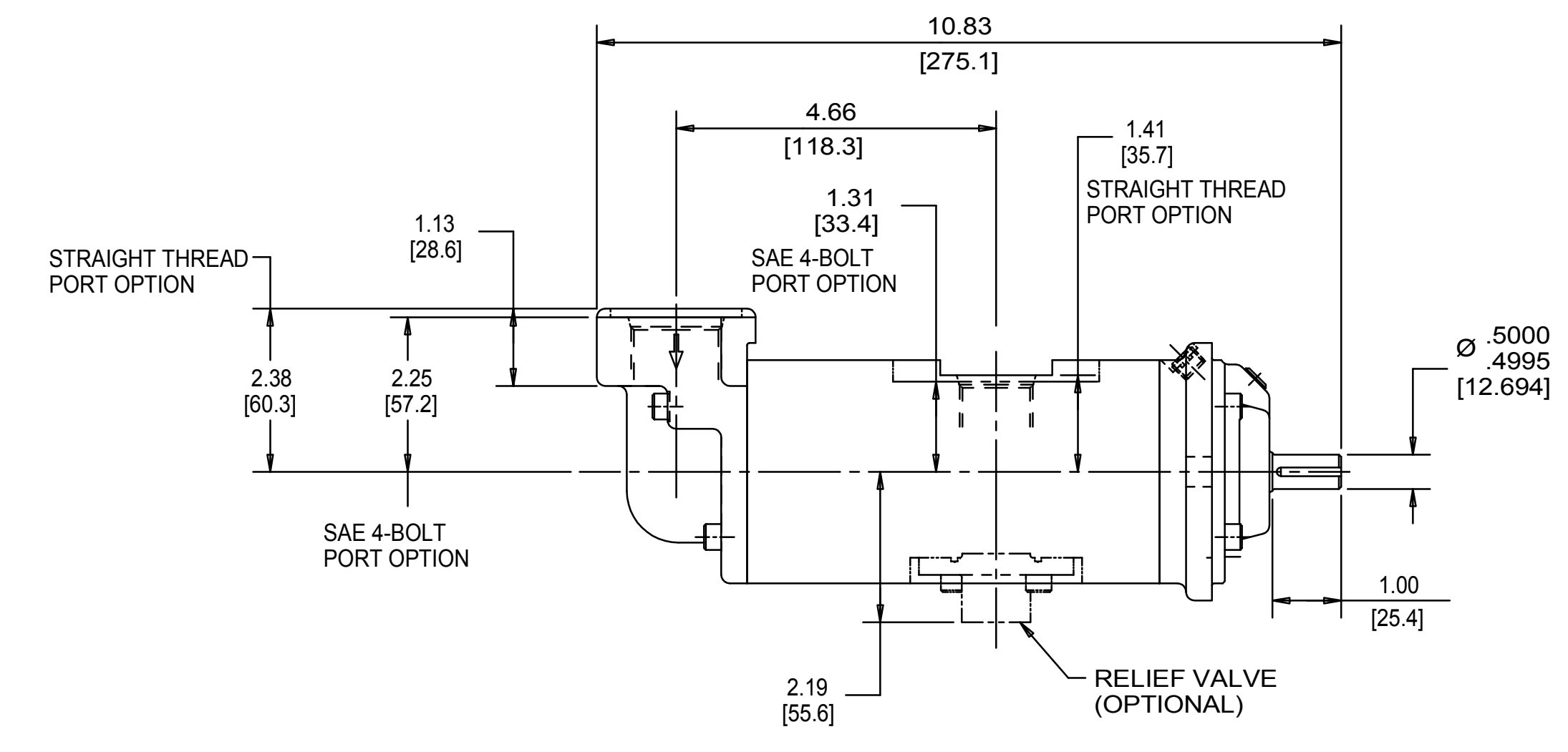
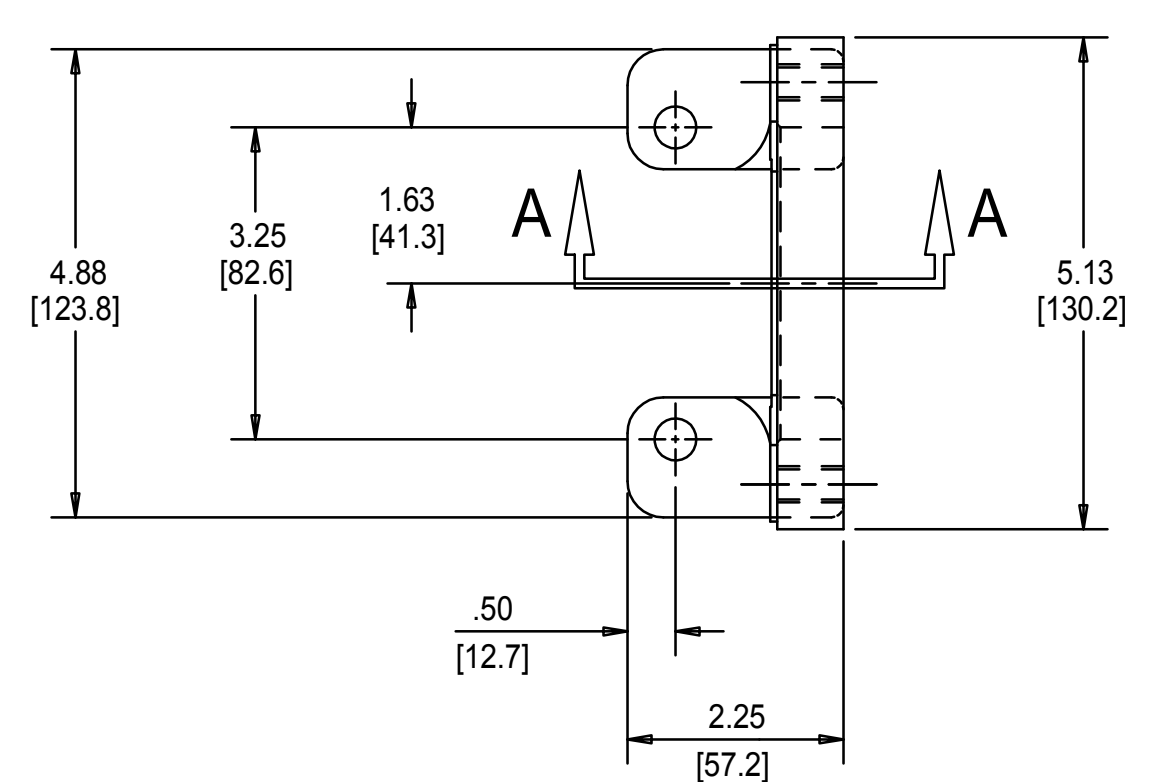
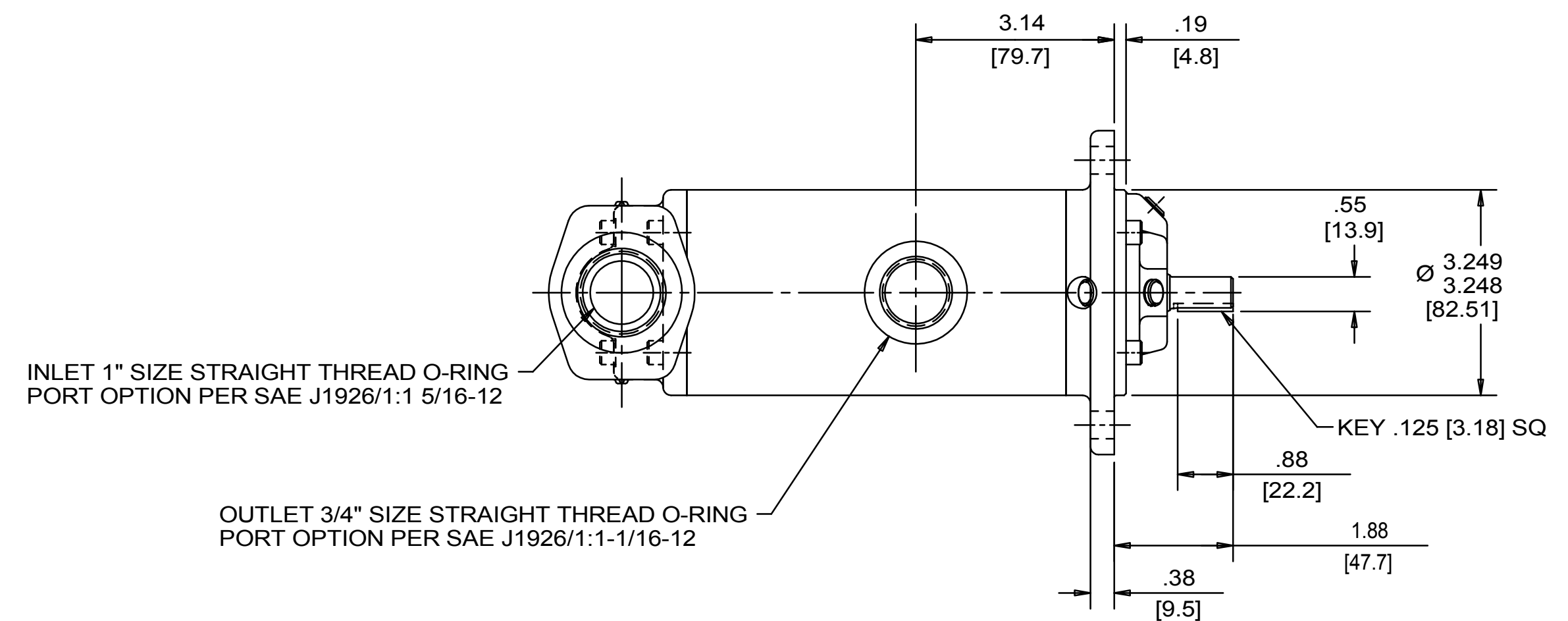
REVISION HISTORY					
CHG NO	ZONE	REV	DESCRIPTION	DATE	BY / APPROVED
11-0187	AI	13	CHANGED TITLE, WAS AA3G	5-16-11	ERH / ERH
22-0000	ALL	14	UPDATE TITLE BLOCK, FORCES & MOMENTS	1-26-22	CDG / CDG



	LB F	N
INLET: Fx, Fy, Fz	37.5	169
OUTLET: Fx, Fy, Fz	28.1	125

	LB FT	Nm
INLET: Mx, My, Mz	62.5	84.7
OUTLET: Mx, My, Mz	46.9	63.6

FORCE AND MOMENT VALUES ARE RELATIVE TO CENTER OF INLET AND OUTLET PORT FACES.



- NOTES:
- TO MAXIMIZE SEAL LIFE, SEAL VENT MUST BE ORIENTED UPWARD (12 O'CLOCK) WHEN PUMP IS INSTALLED HORIZONTALLY. VENT ORIENTATION IS NOT CRITICAL WHEN PUMP IS INSTALLED WITH SHAFT VERTICALLY UPWARD.
 - PORT, FOOT, AND SEAL VENT ORIENTATIONS ARE SUPPLIED AS SHOWN ON DRAWING UNLESS OTHERWISE SPECIFIED.
 - ALTERNATE PORT AND FOOT ORIENTATIONS ARE PROVIDED IF SPECIFIED ON ORDER. AVAILABLE ORIENTATIONS ARE 3, 6, 9, AND 12 O'CLOCK.
 - BOLT PATTERN FOR SAE 4-BOLT AXIAL INLET IS ALWAYS ORIENTED AS SHOWN WITH RESPECT TO OUTLET PORT.
 - APPROXIMATE PUMP WEIGHT (WITHOUT ADAPTERS): FLANGE MOUNT PUMP-- 18.7 LBS. (8.5 kgs) FOOT MOUNT PUMP-- 20.8 LBS. (9.4 kgs)
 - UNLESS OTHERWISE SPECIFIED, ALL DIMENSIONS ARE IN INCHES. DIMENSIONS IN [] ARE MILLIMETERS.

DRAWING CERTIFICATION

CUSTOMER NAME _____

CUSTOMER PO NUMBER _____

CUSTOMER PART NUMBER _____

BOM NUMBER _____

PUMP TYPE _____

SHAFT ROTATION _____

INLET PORT ORIENTATION _____

OUTLET PORT ORIENTATION _____

FOOT BRKT. ORIENTATION _____

INLET PORT OPTION _____

INLET ADAPTER OPTION _____

OUTLET PORT OPTION _____

OUTLET ADAPTER OPTION _____

RELIEF VALVE SET PRESSURE, IF APPLICABLE _____

OTHER INFORMATION _____

CERTIFIED BY _____

CERTIFIED DATE _____

IMO ORDER NUMBER _____

DATA REVISION NUMBER _____

DRAWN	DMM	3-31-98	CIRCOR	IMO®
CHECKED	CDG	4-17-98		
APPROVED	CDG	4-17-98	TITLE: OUTLINE STANDARD (IRON)	
PROCESS			3G/-----095--	
UNLESS OTHERWISE SPECIFIED ASME Y14.5M-1994			SCALE	1/2
ITEMS TO BE PROVIDED BY CUSTOMER: SEAL VENT STRAINER AND DISCHARGE RELIEF VALVE MUST BE PROVIDED ALIGNMENT PARTS ARE ACCURATELY ALIGNED AT THE FACTORY. ALIGNMENT SHOULD BE CHECKED BEFORE STARTING TO INSTALL THAT IT IS STILL WITHIN TOLERANCES. FLUSH SELECTION PUMP BEFORE CONNECTING FLANGE. PRIME AND VENT PUMP. READ INSTRUCTION MANUAL FOR DETAILS BEFORE STARTING.			FIRST ORDER	E3005A
MATERIAL			SIZE	F
PROCESS			SAGE CODE	59180
METHODS			DWG NO	SDD19409
WEIGHT			SEE NOTE 5	
SHEET			1	OF 1