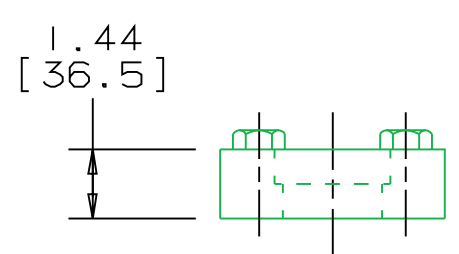
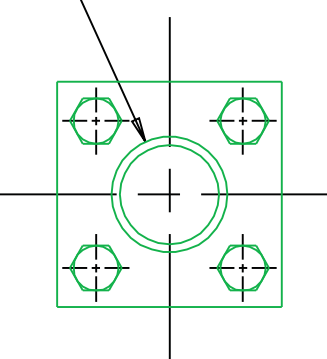
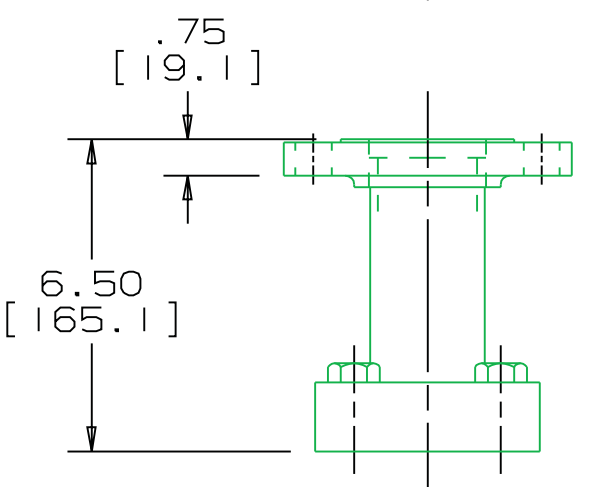
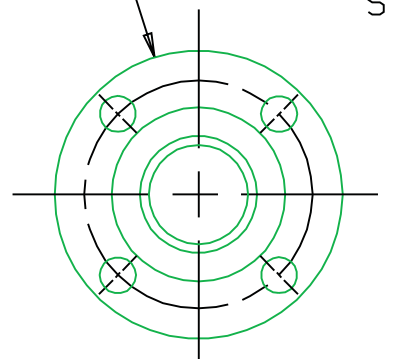


OUTLET 2" SIZE SOCKET WELDING ADAPTER Ø2.414 [61.31] SOCKET .72 [18.3] DEEP



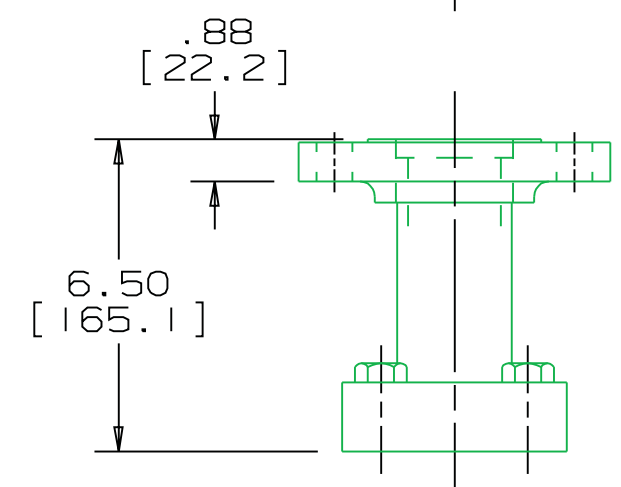
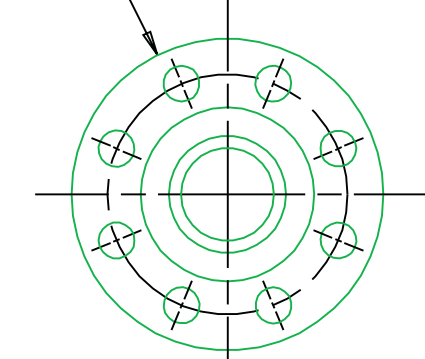
SOCKET WELDING OUTLET OPTION

OUTLET 2" SIZE 150# ANSI B16.5 RAISED FACE FLANGE HOLES TO STRADDLE CENTERLINES



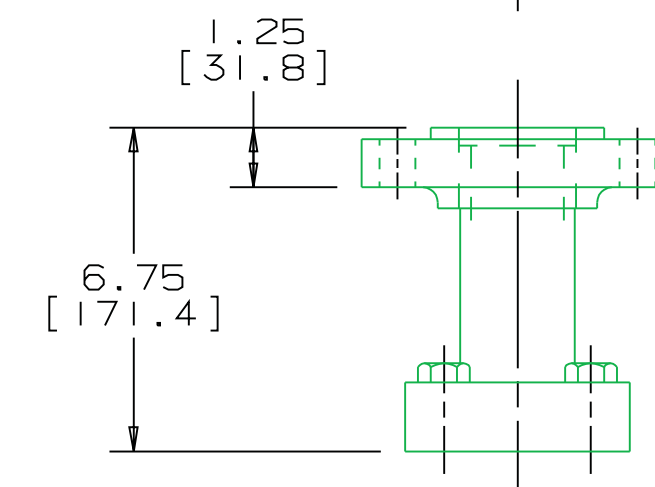
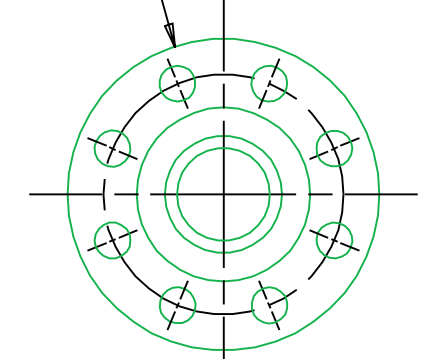
150# RF OUTLET OPTION

OUTLET 2" SIZE 300# ANSI B16.5 RAISED FACE FLANGE HOLES TO STRADDLE CENTERLINES



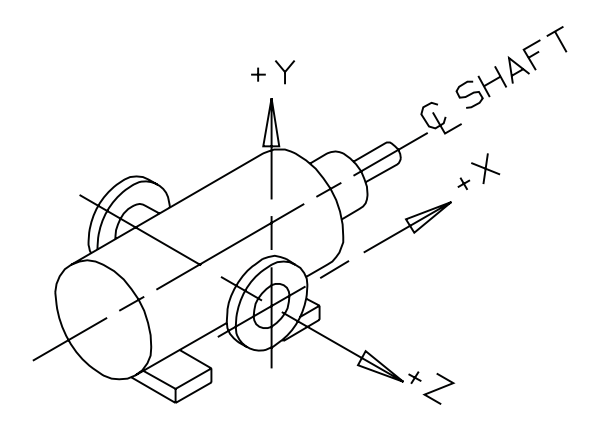
300# RF OUTLET OPTION

OUTLET 2" SIZE 600# ANSI B16.5 RAISED FACE FLANGE HOLES TO STRADDLE CENTERLINES



600# RF OUTLET OPTION

REVISION HISTORY						
CHG NO	ZONE	REV	DESCRIPTION	DATE	BY	APPROVED
96-00043	B2	1	ADDED GENERIC OUTLINE BLOCK	1-23-96	DMS	MJC
99-00000	ALL	2	REVISED FOR APPV'D ANSI FORMAT	06-21-99	JTT	ERH
00-0579	ALL	3	UPDATED TO CURRENT STANDARDS	11-1-00	DMM	DMM

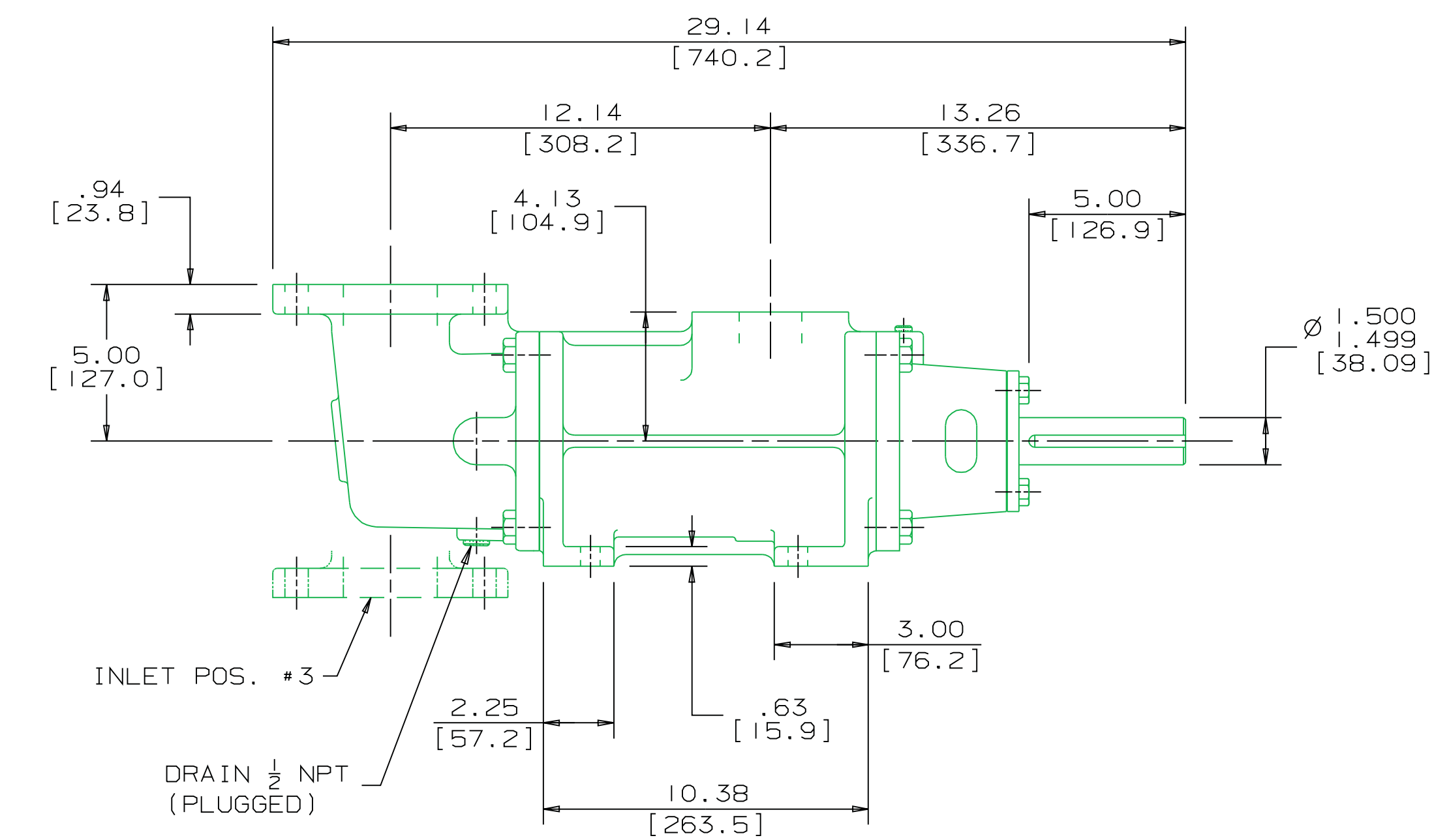
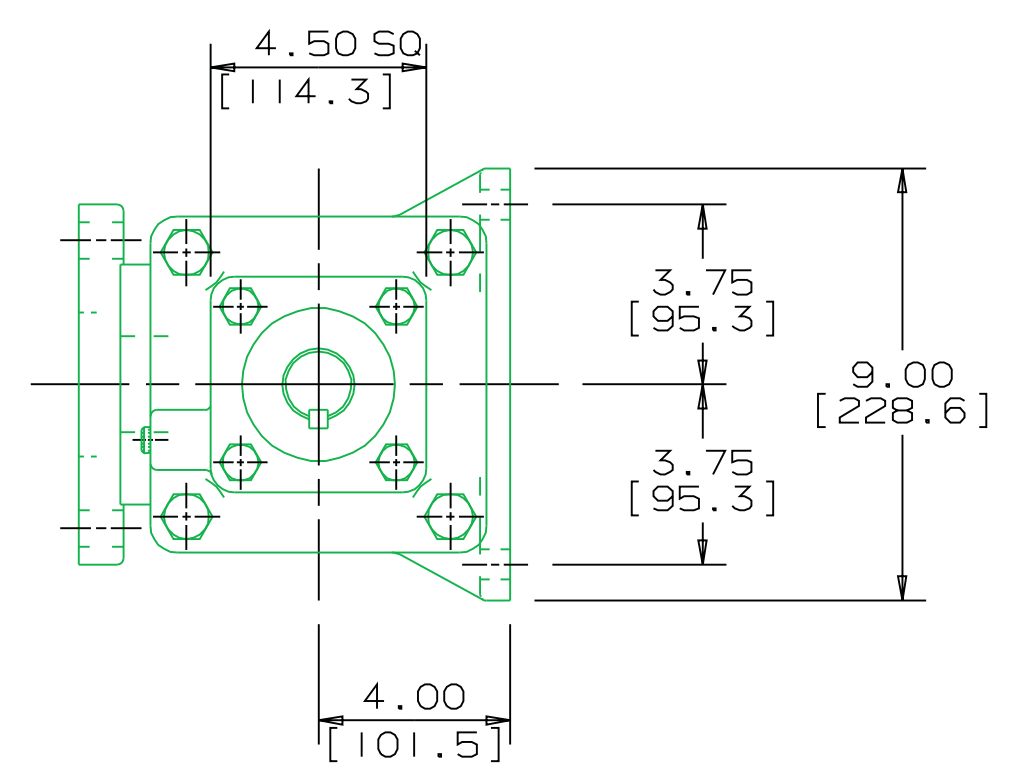
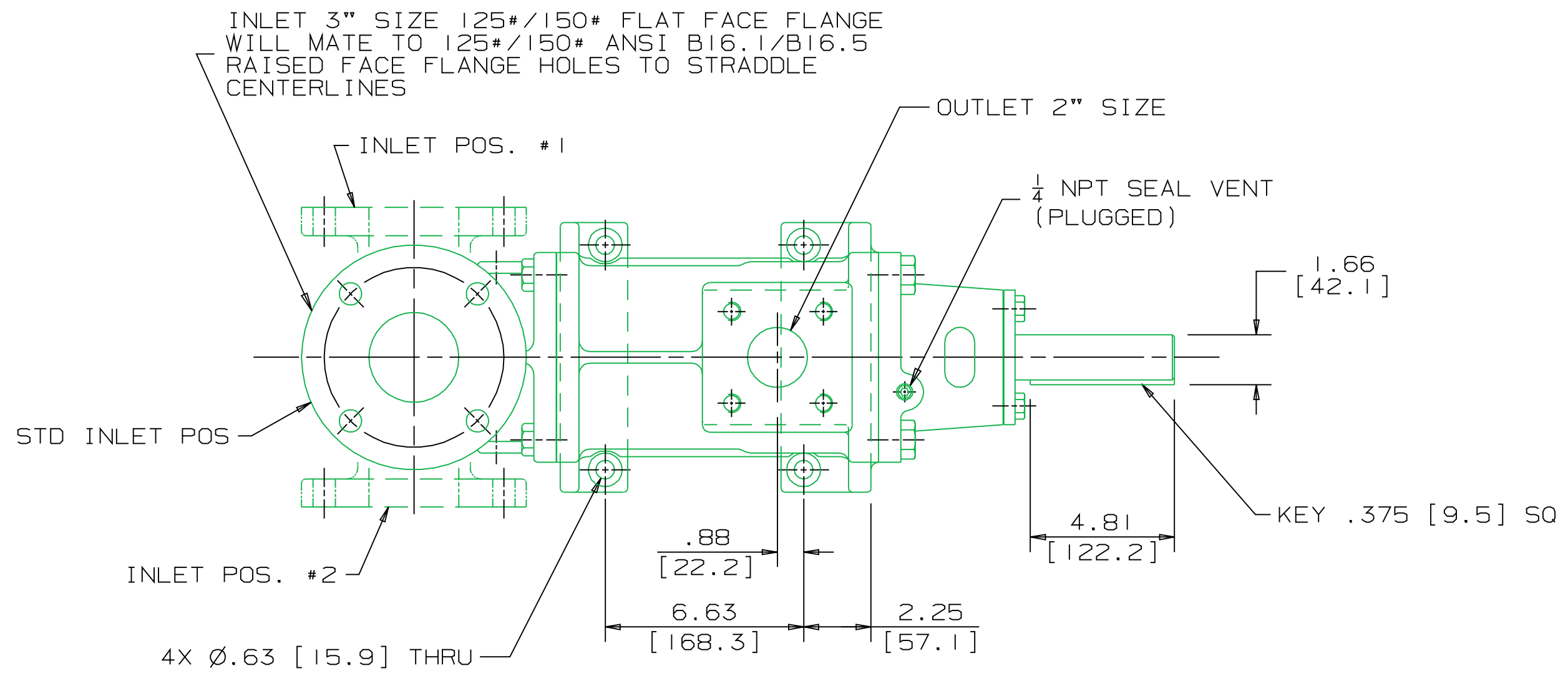


COORDINATE SYSTEM FOR MAXIMUM PUMP FORCES (F) AND MOMENTS (M)

INLET:
 FX=225 LBF [1000 N] MX= 375 LB FT [508 N·m]
 FY=225 LBF [1000 N] MY= 375 LB FT [508 N·m]
 FZ=225 LBF [1000 N] MZ= 375 LB FT [508 N·m]

OUTLET:
 FX=150 LBF [667 N] MX= 250 LB FT [339 N·m]
 FY=150 LBF [667 N] MY= 250 LB FT [339 N·m]
 FZ=150 LBF [667 N] MZ= 250 LB FT [339 N·m]

FORCE AND MOMENT VALUES ARE RELATIVE TO CENTER OF INLET AND OUTLET PORT FACES.



- NOTES:
- UNLESS OTHERWISE SPECIFIED, ALL DIMENSIONS ARE IN INCHES. DIMENSIONS IN [] ARE MILLIMETERS.
 - TO MAXIMIZE SEAL LIFE, SEAL VENT MUST BE ORIENTED UPWARD (12 O'CLOCK) WHEN PUMP IS INSTALLED HORIZONTALLY. THIS IS NORMAL VENT ORIENTATION WHEN PUMP FEET ARE ORIENTED DOWNWARD. SEAL VENT ORIENTATION IS NOT CRITICAL WHEN PUMP IS INSTALLED WITH SHAFT VERTICALLY UPWARD.
 - PORT, FOOT, AND SEAL VENT ORIENTATIONS ARE SUPPLIED AS SHOWN ON DRAWING UNLESS OTHERWISE SPECIFIED.
 - ALTERNATE INLET PORT POSITIONS ARE PROVIDED IF SPECIFIED ON ORDER. AVAILABLE POSITIONS ARE: STANDARD, POSITION #1, POSITION #2 OR POSITION #3. ALL INLET PORT POSITIONS ARE RELATIVE TO OUTLET PORT.
 - ESTIMATED WEIGHT (WITHOUT PORT ADAPTERS) 154 LBS [69.9 kg].

DRAWING CERTIFICATION	
CUSTOMER NAME	-----
CUSTOMER PO NUMBER	-----
CUSTOMER PART NUMBER	-----
BOM NUMBER	-----
PUMP TYPE	-----
SHAFT ROTATION	-----
INLET PORT POSITION	-----
OUTLET PORT ADAPTER OPTION	-----
OTHER INFORMATION	
CERTIFIED BY	-----
CERTIFIED DATE	-----
IMO ORDER NUMBER	-----
DATA REVISION NUMBER	-----

DRAWN	MLW	7-6-94	
CHECKED	MLW	7-7-94	
APPD	MJC	7-12-94	
PROCESS	METHODS		
COMMENTS: STANDARD ROTATION IS CLOCKWISE WHEN VIEWED FROM COUPLING END OF PUMP. SUCTION STRAINER AND DISCHARGE RELIEF VALVE MUST BE PROVIDED. ALIGNMENT: UNITS ARE ACCURATELY ALIGNED AT THE FACTORY. ALIGNMENT SHOULD BE CHECKED BEFORE STARTING TO ENSURE THAT IT IS STILL WITHIN .005 [0.13] F.W. PRESTARTING: FLUSH SUCTION PIPING BEFORE CONNECTING PUMP. PRIME AND VENT PUMP. DO NOT START PUMP WITH VALVES CLOSED. READ INSTRUCTION MANUAL FOR DETAILS BEFORE STARTING.			TITLE OUTLINE STANDARD (STEEL) G3D-S-218
THIRD ANGLE PROJECTION	FIRST ORDER	SIZE	CAGE CODE
3	2	D	59180
USED ON	SCALE	WEIGHT	SEE NOTE 5
3212/151	1/4		
		SHEET	1 OF 1

FOOT MOUNT, RIGHT ANGLE INLET
 STEEL 3D-218